

Embrace Back-lit

- EMB-BL-1X1-S
- EMB-BL-1X3-S
- EMB-BL-2X2-S
- EMB-BL-2X3-S
- EMB-BL-3X3-S
- EMB-BL-4X3-S
- EMB-BL-5X3-S

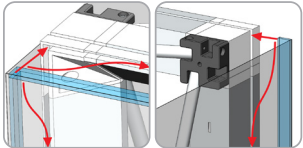

Embrace™ back-lit is a bright collapsible portable display that delivers style with minimal effort. Embrace back-lit Fabric Displays come in a variety of sizes and is offered with single sided or double sided back-lit graphics with end caps and opaque liners. Embrace requires no tools for assembly, is lightweight and highly portable. It packs away as easy as it sets up!



features and benefits:

- Lightweight anodized straight anodized silver frame
- Stabilizer feet on all 3 quad high frames
- Perimeter channel bars connect to frame and hold push-fit fabric graphics
- Lighting kit includes power cords
- Easy to assemble
- Back-lit end caps
- Opaque liner or optional back-lit graphic
- Wheeled shipping case included (1x1 in box)
- Lifetime hardware warranty against manufacturer defects

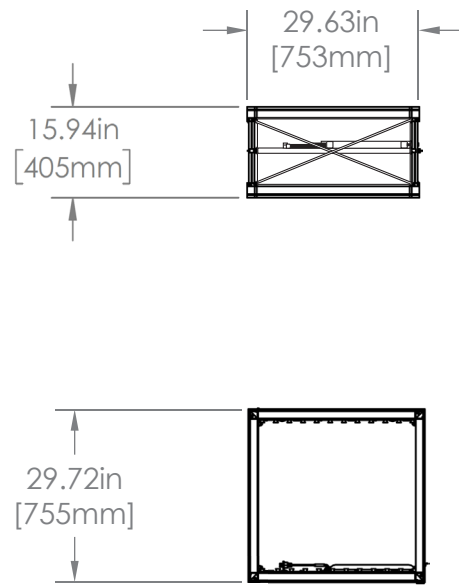
dimensions:

Hardware	Shipping
<p>Assembled unit:</p> <p>1x1: 30.89" w x 30.89" h x 15.94" d 785mm(w) x 785mm(h) x 405mm(d)</p> <p>1x3: 30.89" w x 88.65" h x 28.94" d 785mm(w) x 2252mm(h) x 735mm(d)</p> <p>2x2: 59.29" w x 59.44" h x 15.94" d 1506mm(w) x 1510mm(h) x 405mm(d)</p> <p>2x3: 59.29" w x 88.65" h x 28.94" d 1506mm(w) x 2252mm(h) x 735mm(d)</p> <p>3x3: 88.15" w x 88.65" h x 28.94" d 2239mm(w) x 2252mm(h) x 735mm(d)</p> <p>4x3: 117" w x 88.65" h x 28.94" d 2972mm(w) x 2252mm(h) x 735mm(d)</p> <p>5x3: 145.87" w x 88.65" h x 28.94" d 3705mm(w) x 2252mm(h) x 735mm(d)</p> <p>Approximate weight:</p> <p>1x1: 15 lb / 7 kg 3x3: 66 lb / 30 kg 1x3: 45 lb / 20 kg 4x3: 77 lb / 35 kg 2x2: 43 lb / 20 kg 5x3: 88 lb / 40 kg 2x3: 55 lb / 25 kg</p>	<p>1x1 Ships in box 33"l x 15" h x 15" d 839mm(l) x 381mm(h) x 381mm(d)</p> <p>Packing case(s): 1 OCX (can ship FedEx or UPS)</p> <p>Shipping dimensions: 40"l x 27" h x 18" d 1016mm(l) x 686mm(h) x 457mm(d)</p> <p>Approximate total shipping weight:</p> <p>1x1: 17 lb / 8 kg 1x3: 75 lb / 33 kg 2x2: 73 lb / 33 kg 2x3: 85 lb / 39 kg 3x3: 96 lb / 44 kg 4x3: 107 lb / 49 kg 5x3: 118 lb / 54 kg</p>
<p>Graphic material: Dye-sublimation SEG push-fit fabric</p> <p>Refer to related graphic template for more information.</p> <p>Visit: www.exhibitors-handbook.com/graphic-templates</p>	<p>additional information:</p> <p>Back-lit kits are not able to be used for the stacking options. Do not attempt to connect frames with stacking connectors.</p> <p>Easy push-fit fabric graphics go into channels.</p>  <p>2 person assembly recommended:</p> 

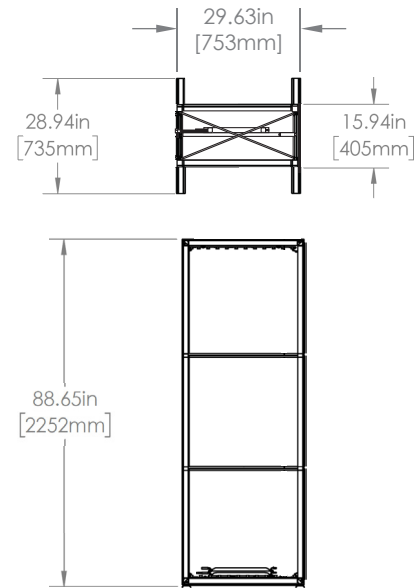
We are continually improving and modifying our product range and reserve the right to vary the specifications without prior notice. All dimensions and weights quoted are approximate and we accept no responsibility for variance. E&OE. See Graphic Templates for graphic bleed specifications.

Dimensions

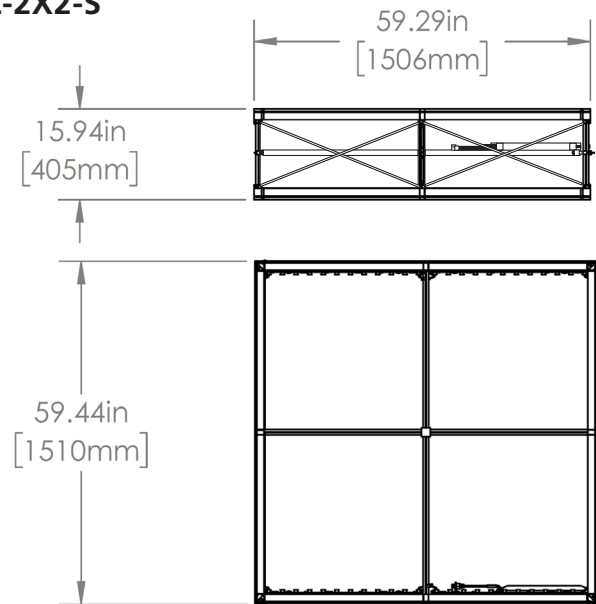
EMB-BL-1X1-S



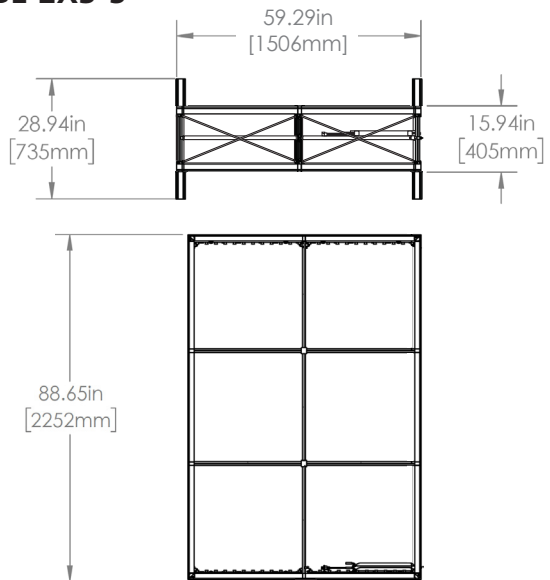
EMB-BL-1X3-S



EMB-BL-2X2-S

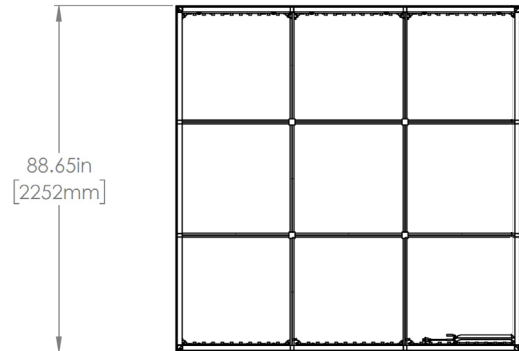
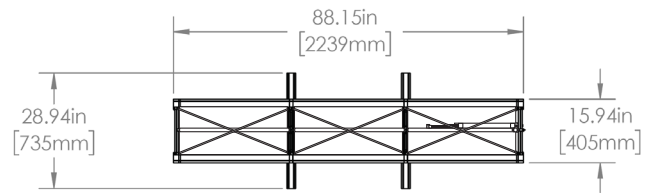


EMB-BL-2X3-S

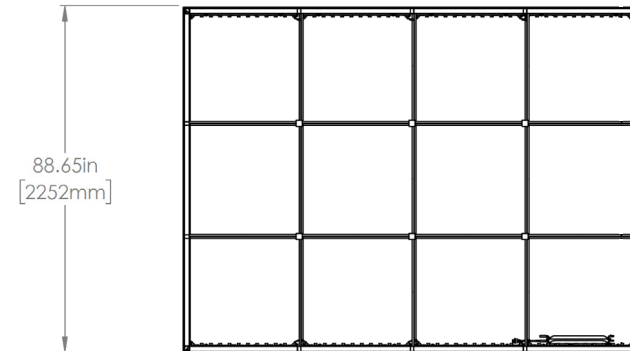
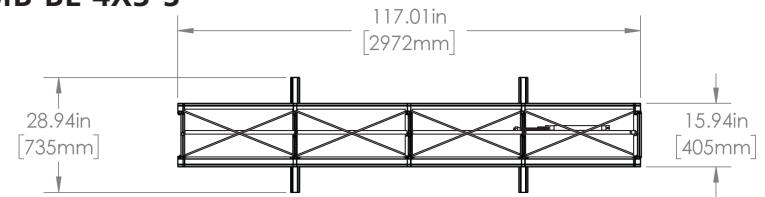


Dimensions

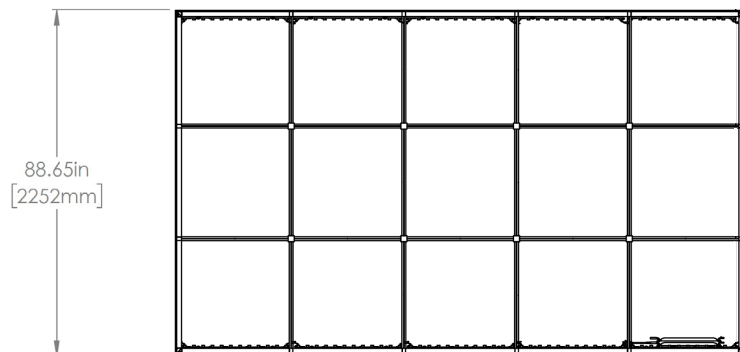
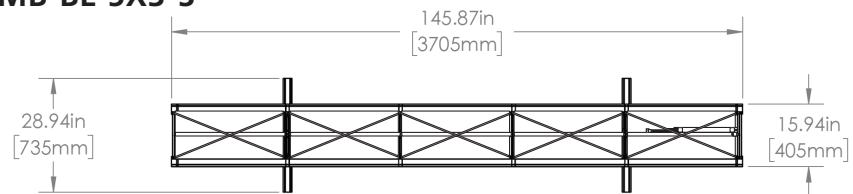
EMB-BL-3X3-S



EMB-BL-4X3-S

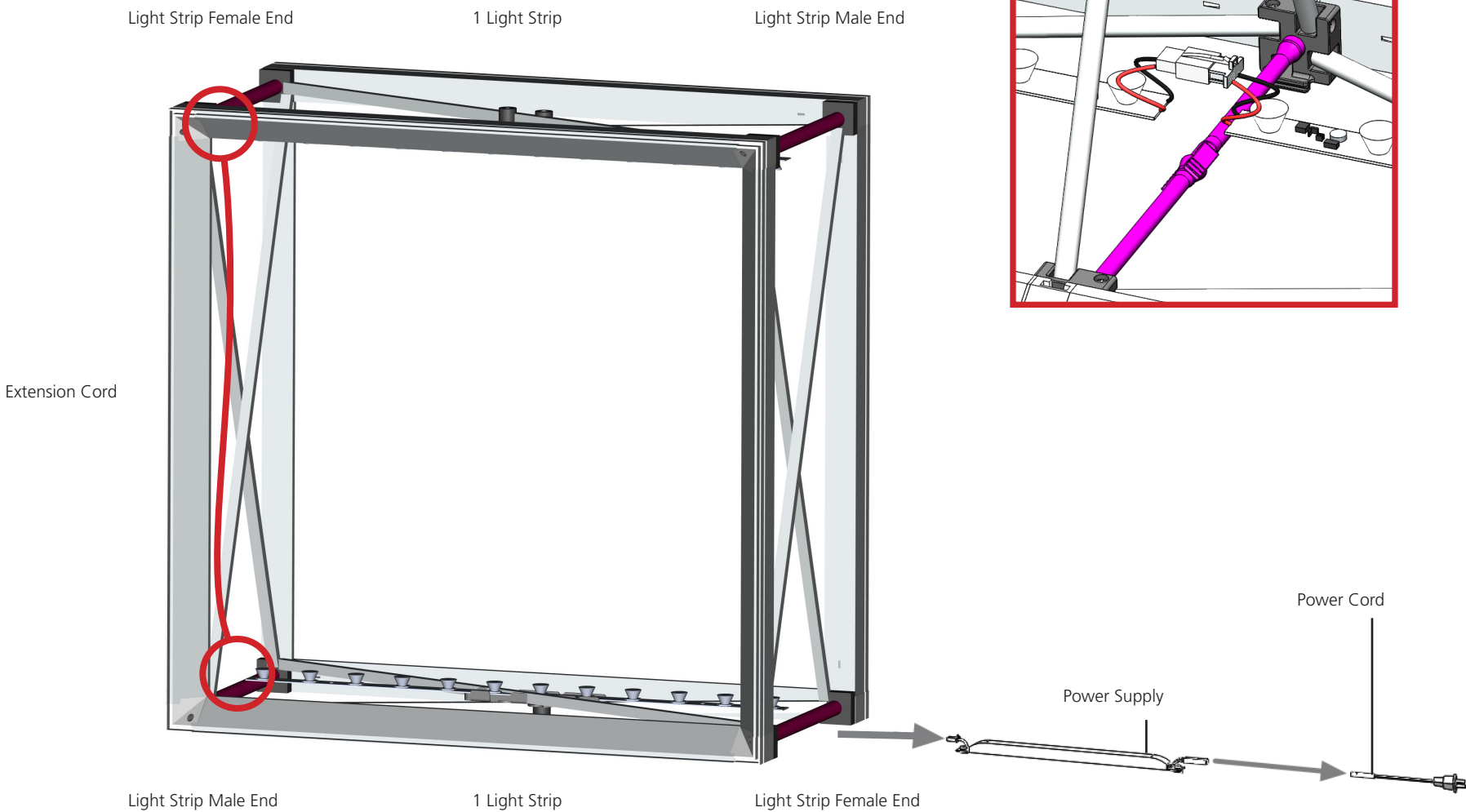


EMB-BL-5X3-S



Internal Lighting Diagram

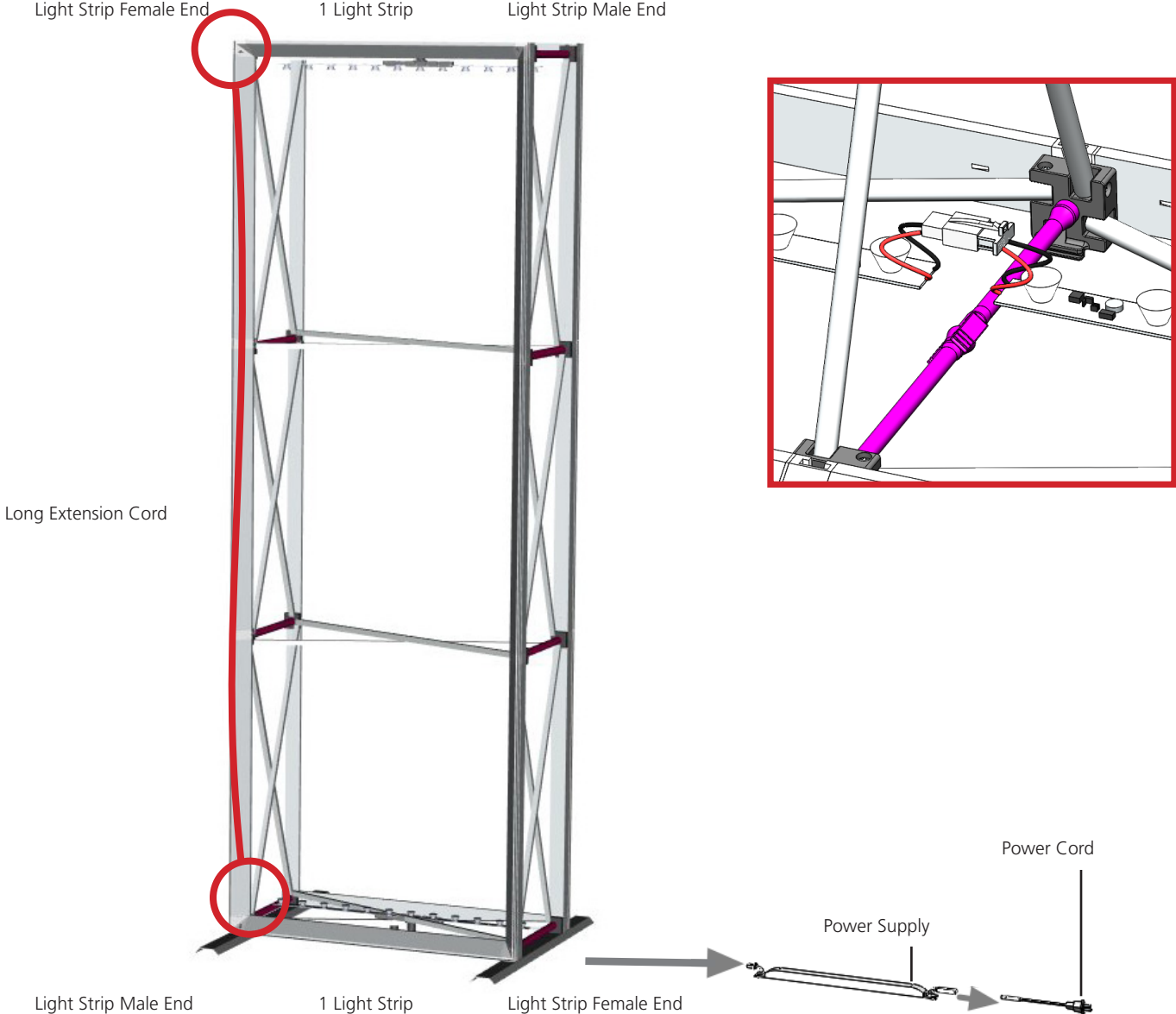
EMB-BL-1X1-S



The power cord connects directly to the power supply.
No extension cords are necessary.

Internal Lighting Diagram

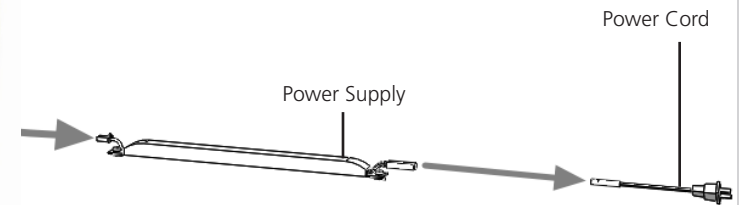
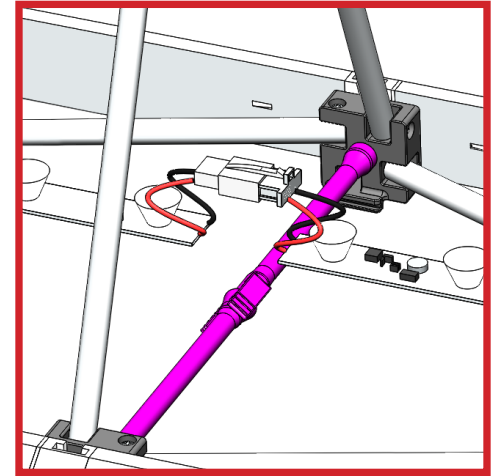
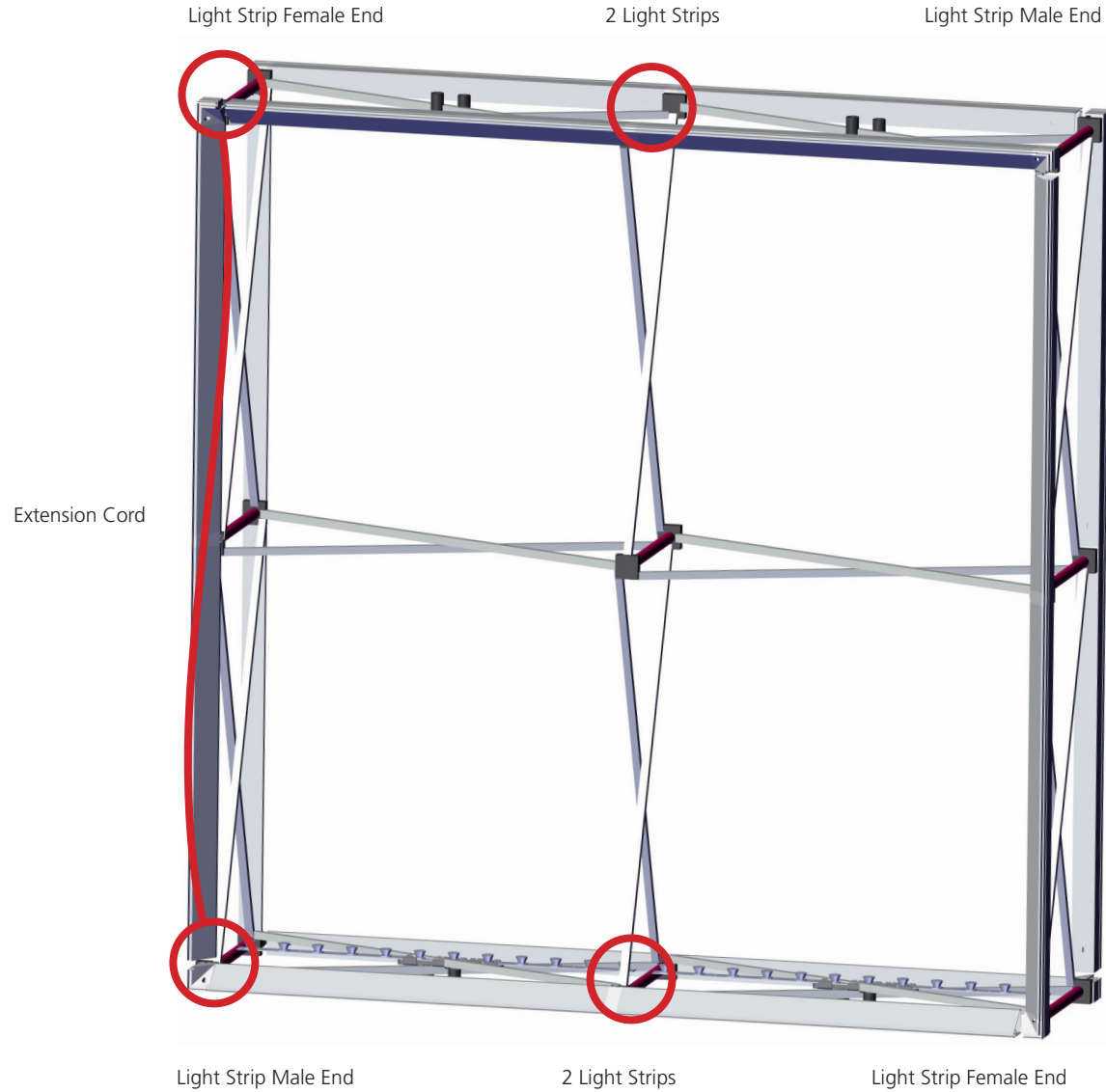
EMB-BL-1X3-S



The power cord connects directly to the power supply.
No extension cords are necessary.

Internal Lighting Diagram

EMB-BL-2X2-S



The power supply connects directly to the light strip. No extension cord is necessary.

The power cord connects directly to the power supply. No extension cord is necessary.

Internal Lighting Diagram

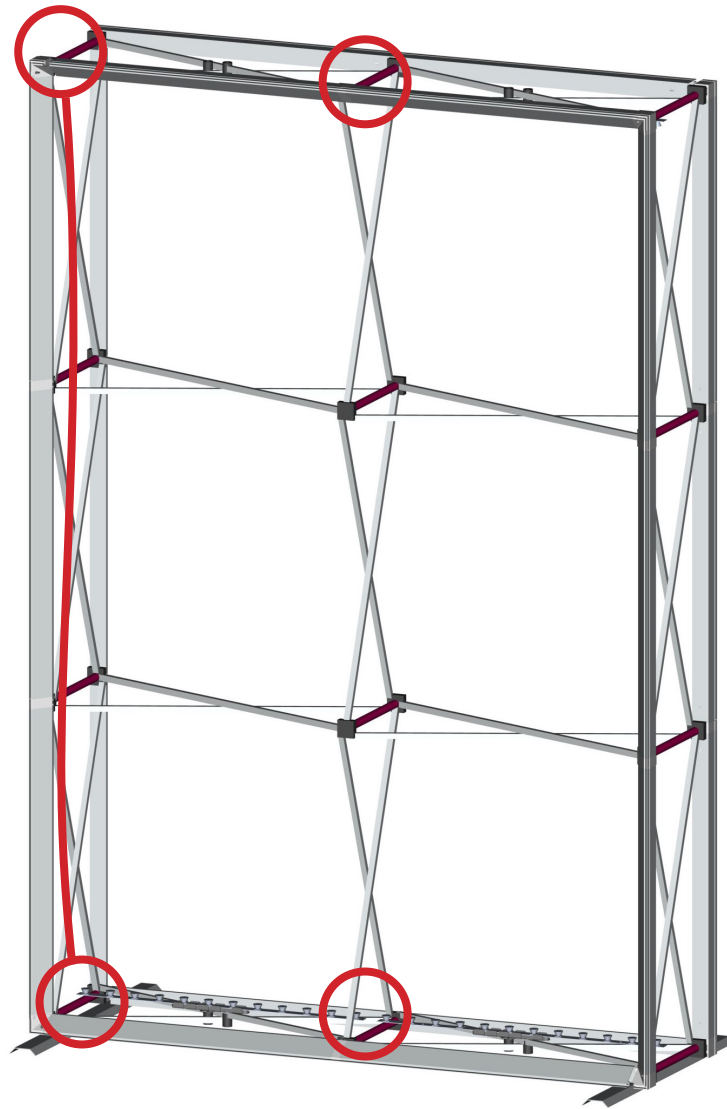
EMB-BL-2X3-S

Light Strip Female End

2 Light Strips

Light Strip Male End

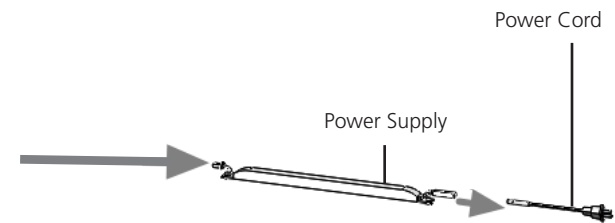
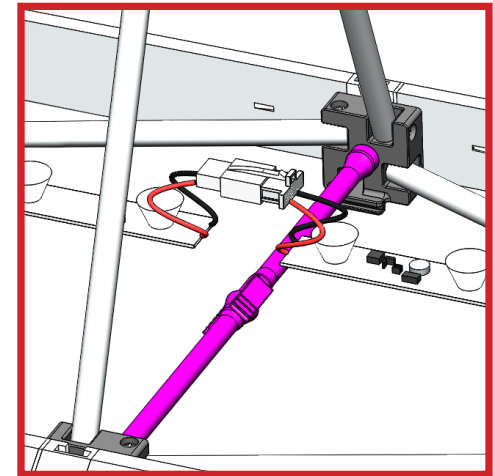
Long Extension Cord



Light Strip Male End

2 Light Strips

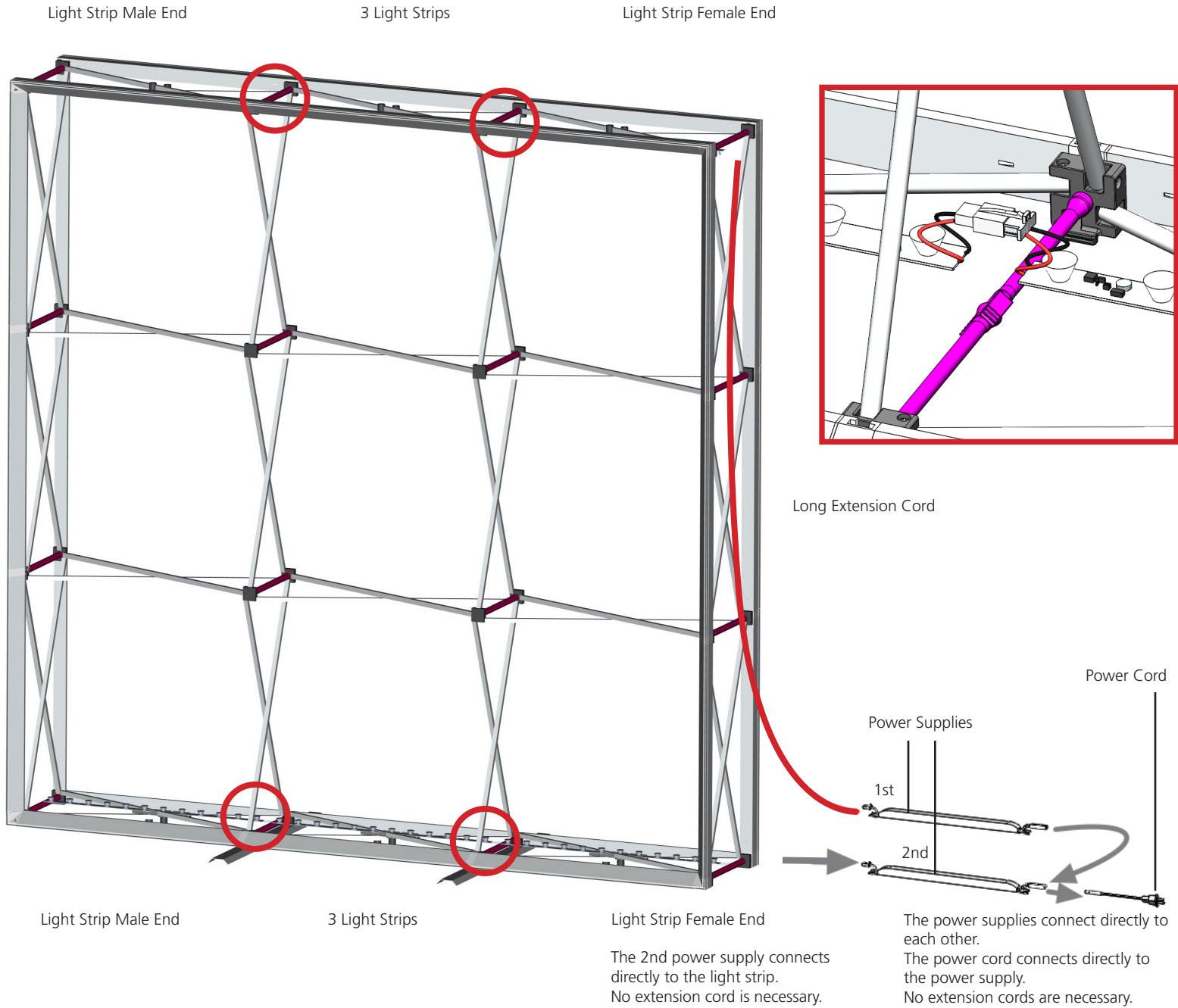
Light Strip Female End



The power cord connects directly to the power supply.
No extension cords are necessary.

Internal Lighting Diagram

EMB-BL-3X3-S



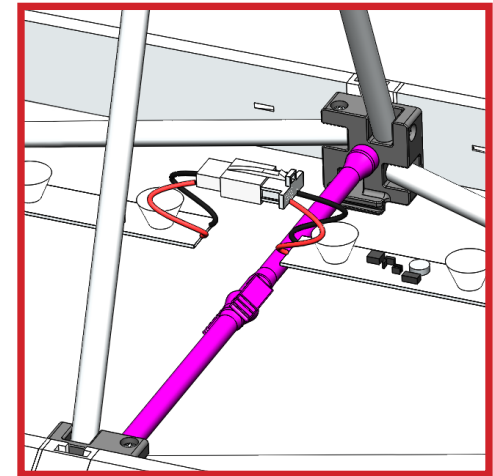
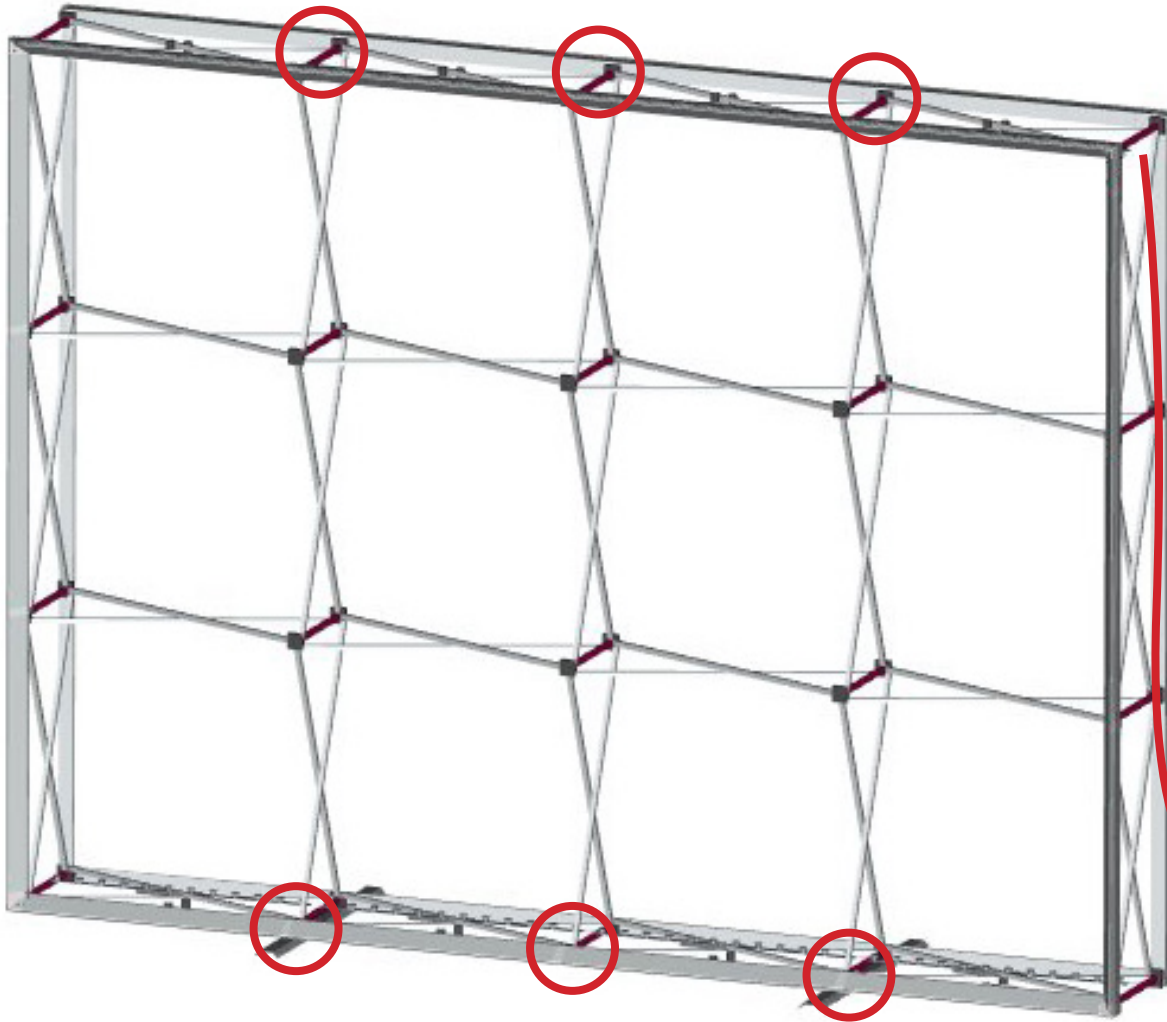
Internal Lighting Diagram

EMB-BL-4X3-S

Light Strip Male End

4 Light Strips

Light Strip Female End



Long Extension Cord

Power Supplies

Power Cord

1st

2nd

Light Strip Male End

4 Light Strips

Light Strip Female End

The 2nd power supply connects directly to the light strip. No extension cord is necessary.

The power supplies connect directly to each other. The power cord connects directly to the power supply. No extension cords are necessary.

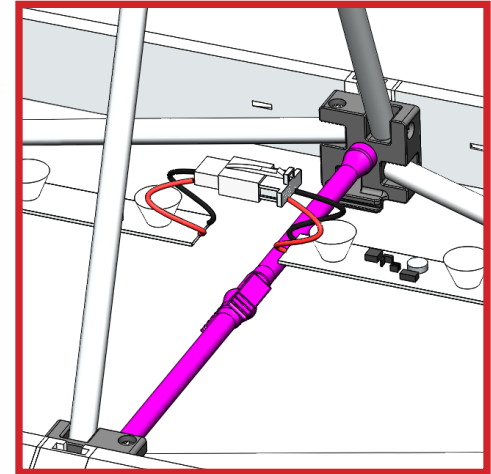
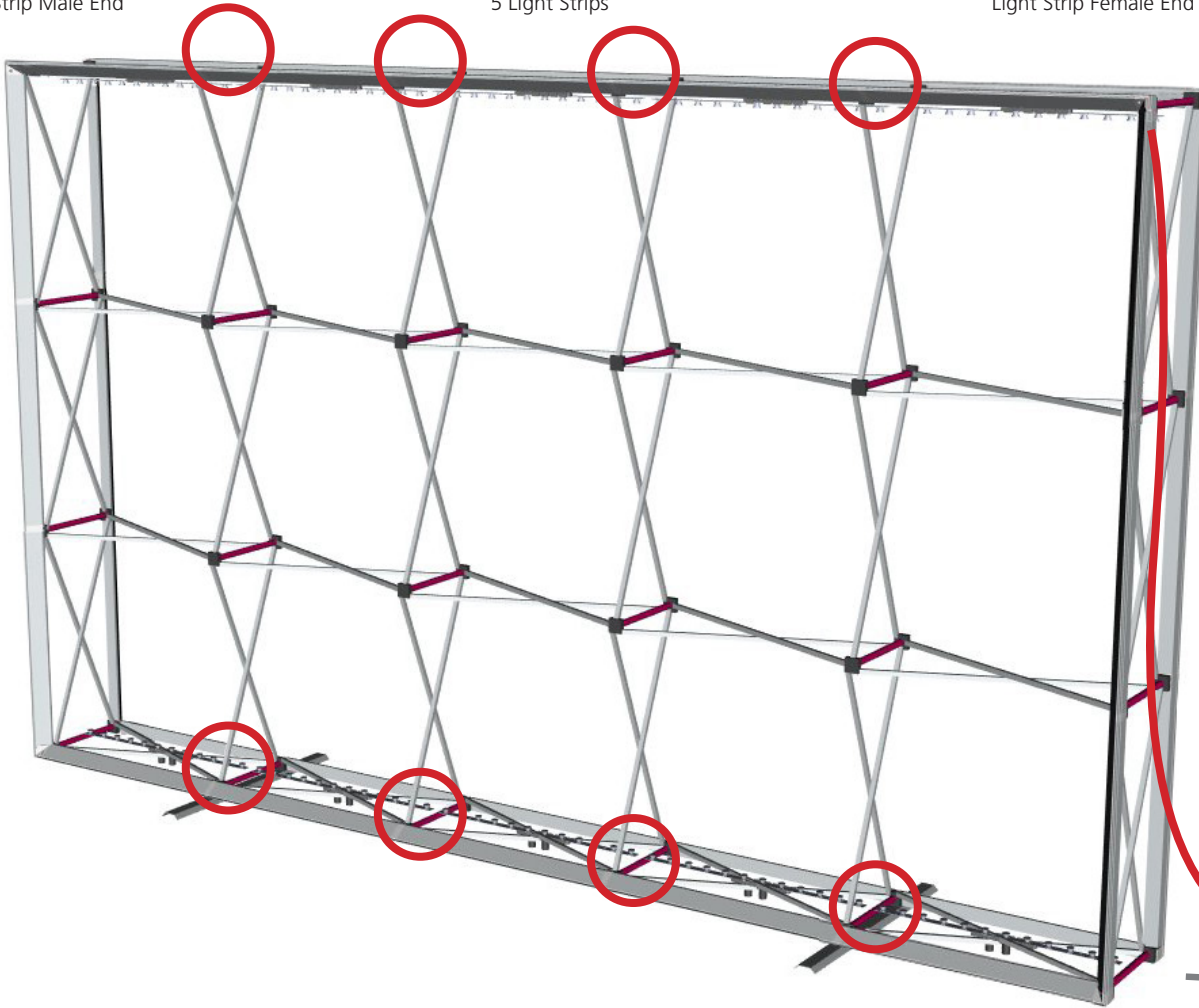
Internal Lighting Diagram

EMB-BL-5X3-S

Light Strip Male End

5 Light Strips

Light Strip Female End

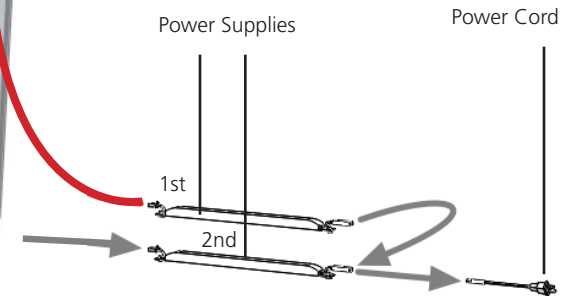


Long Extension Cord

Light Strip Male End

5 Light Strips

Light Strip Female End



The 2nd power supply connects directly to the light strip.
No extension cord is necessary.

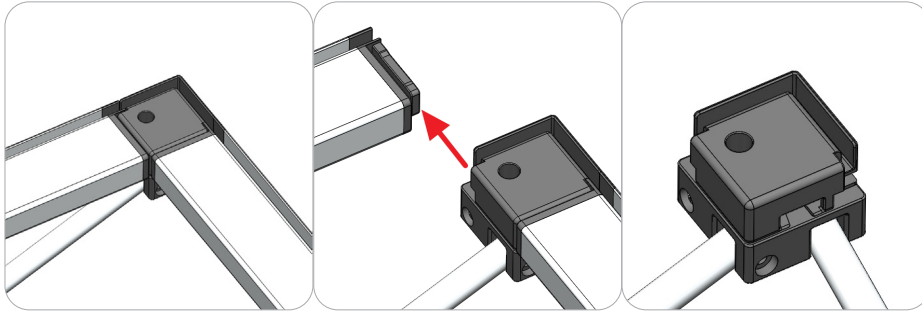
The power supplies connect directly to each other.
The power cord connects directly to the power supply.
No extension cords are necessary.

Channel Bar Conversion

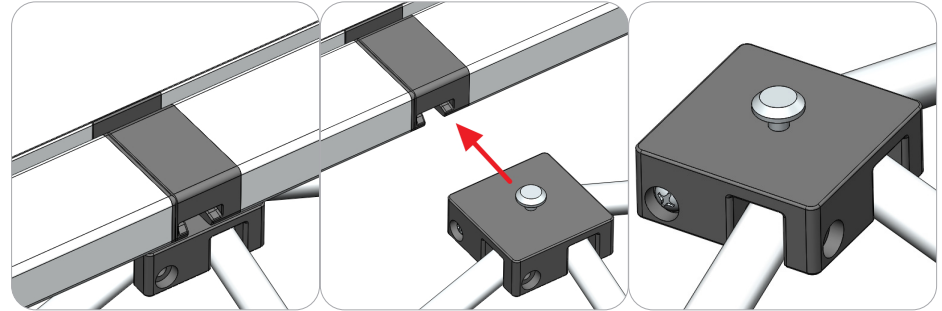
Use this instruction if you are converting your frame from Standard to Backlit.

Channel Bar removal from the Corner Hubs

Channel Bar removal from the Middle Hubs



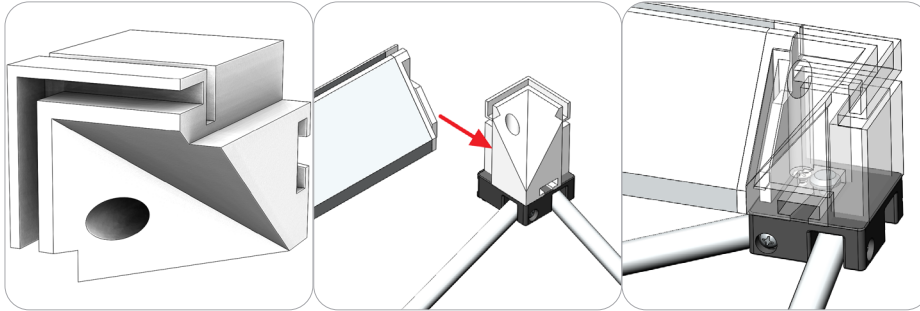
To remove the channel bars, start by pulling the end caps off the corner hubs.



Continue to remove the channel bars by pulling the channel caps off the middle hubs.

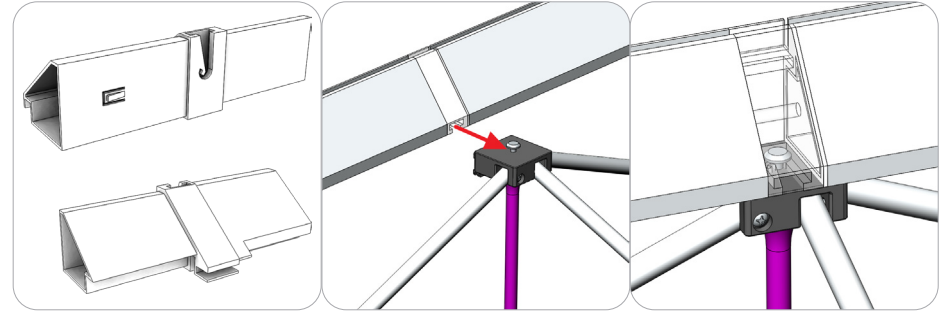
Connection Methods

Connection Method 1: Corner Hub & End Cap



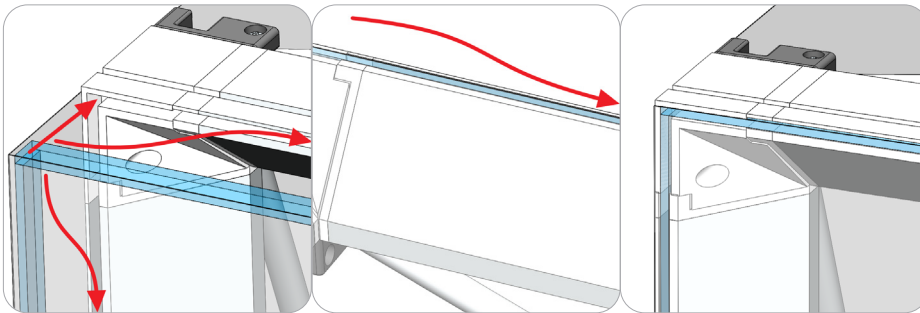
The back-lit frames will have this corner hub installed on all four corners, front and back of the frame. This corner hub takes the end caps of the back-lit channel bars. The end caps of the channel bar will snap into place.

Connection Method 2: Middle Hub & Middle Cap

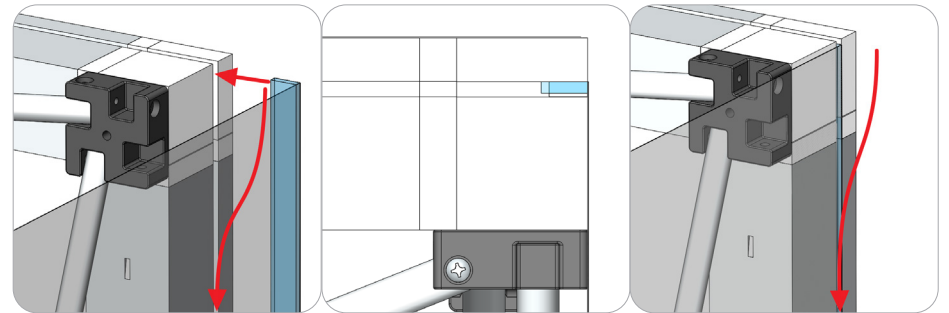


The back-lit scissor frames will have middle hubs with a metal prong installed on all four sides front and back. Attach the middle caps of the back-lit channel bars onto the middle hubs. The middle caps of the channel bar will snap into place.

Connection Method 3: Silicon Edge Graphics



To apply the silicone edge graphic, start by pressing the SEG into the top left corner hub of the frame. Continue to press the SEG into the extrusion bar fabric channel. Keep pressing the SEG into the bar fabric channel until you make down to the bottom right corner hub of the frame. This also works for the opaque liner or the second printed graphic option on the back side of the frame.



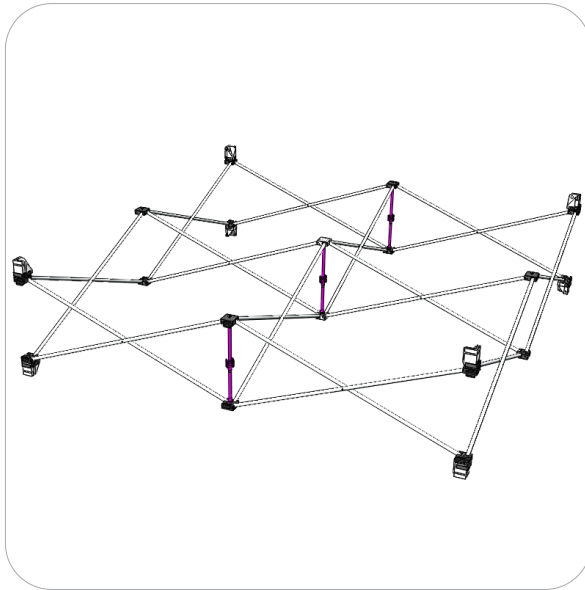
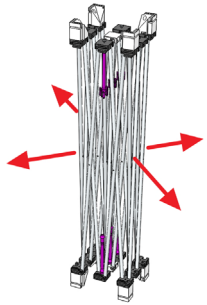
The front printed graphic will also have end cap graphics with silicone edge. Pull the end cap silicone edge to the top of the back corner hub. Start to press in the SEG into the hub and work your way down the side channel. Do the same for the opposite end cap.

Kit Assembly

Step by Step

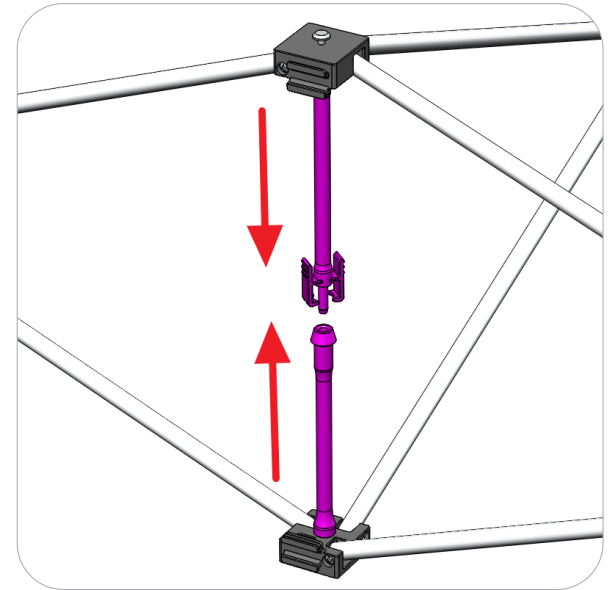
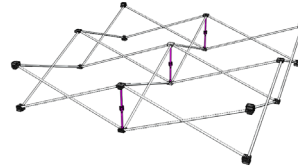
Step 1.

Begin with the back-lit scissor frame and expand it flat out on the floor.



Step 2.

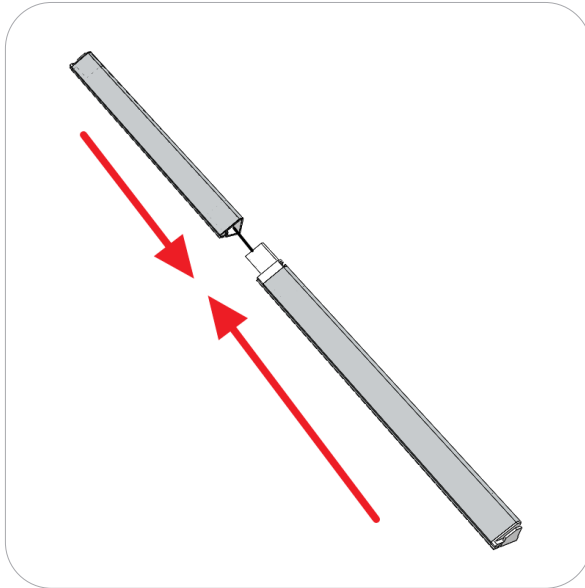
With the frame flat on the floor, snap all the locking arms into place. The side with the dove tail hub design is the bottom of the frame.



Step 3.

Gather all the bungee channel bars and slide them together.

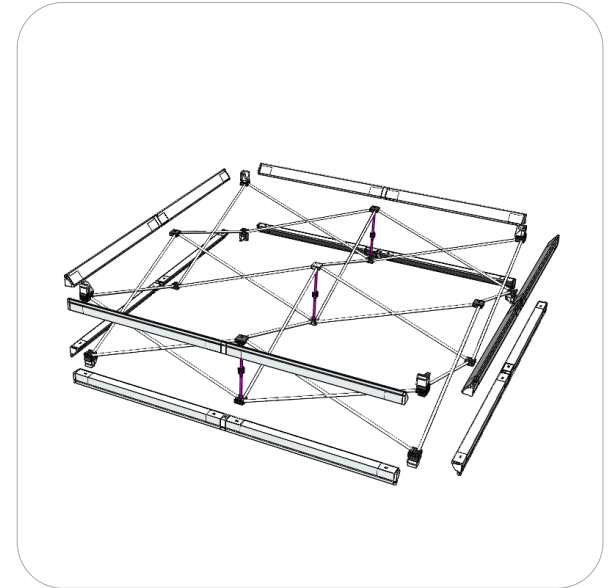
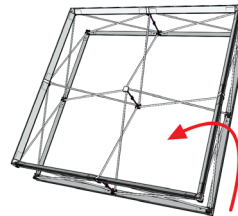
- EMB-BL-CB-1 (Non-Bungee)
- EMB-BL-CB-2 (Shown)
- EMB-BL-CB-3
- EMB-BL-CB-4
- EMB-BL-CB-5



Step 4.

With the frame laid out flat on the floor, carefully attach the channel bars onto the front and back side of the frame. You can stand the frame upright without the stabilizing bases if your frame is 2 quads high or less.

Reference Connection Method(s) 1 and 2 for more details.

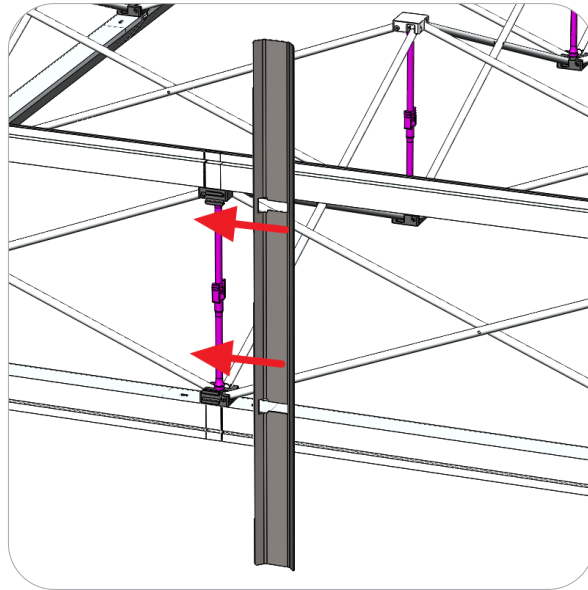
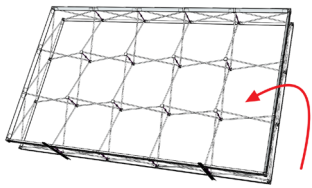


Kit Assembly

Step by Step

Step 5.

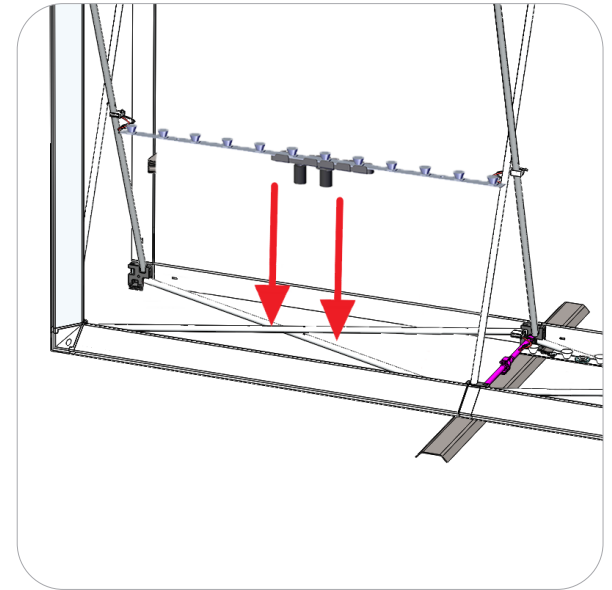
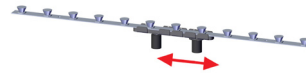
Attach the stabilizing bases on the frames that are 3 quads high or taller. Secure them in place while you stand the frame upright.



Step 6.

Gather all the lighting strips and align so they are over each "X" of the frame, then pull the spring-loaded clip apart to fit onto the "X". Make sure the orientation of the male and female connectors allows for linking them together.

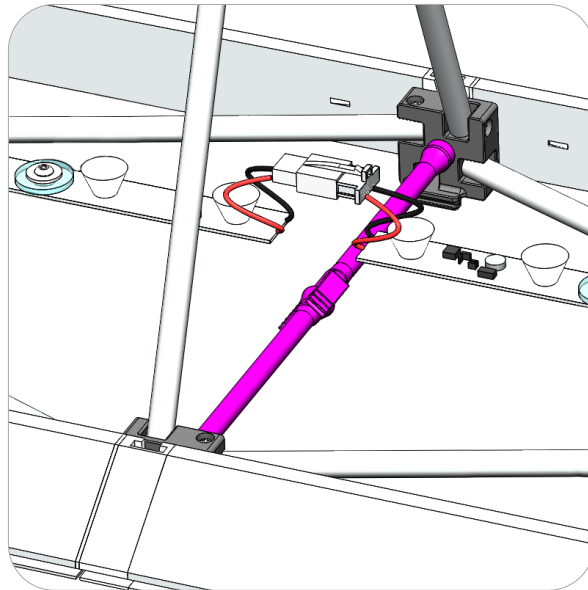
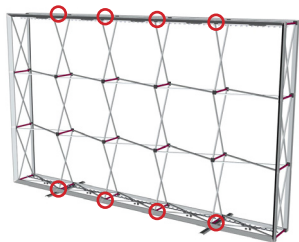
Refer to the Internal Lighting Diagram for your frame size and more details.



Step 7.

Connect the light strips in series for both top and bottom sides.

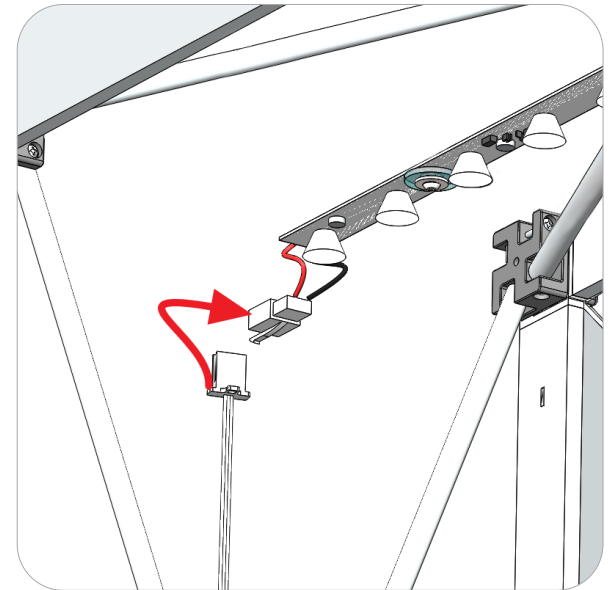
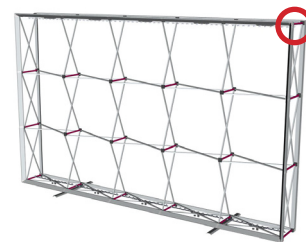
Refer to the Internal Lighting Diagram for your frame size and more details.



Step 8.

Connect the long extension cord to the female end of the top light strips in series. Run the long extension cord down the side.

Refer to the Internal Lighting Diagram for your frame size and more details.



Kit Assembly

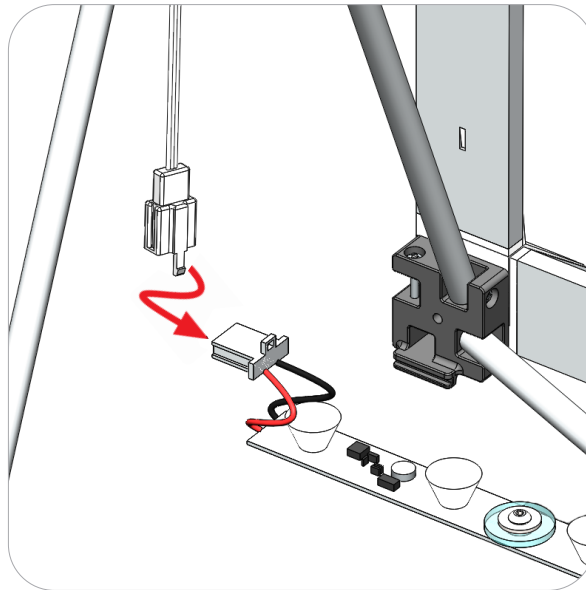
Step by Step

Step 9A.

This step is for Long Extension cord connection for kits with one power supply. Skip to step 9B for kits with two power supplies.

First, attach the extension cord from the top row of lights to bottom row of lights.

Refer to the Internal Lighting Diagram for your frame size and more details.



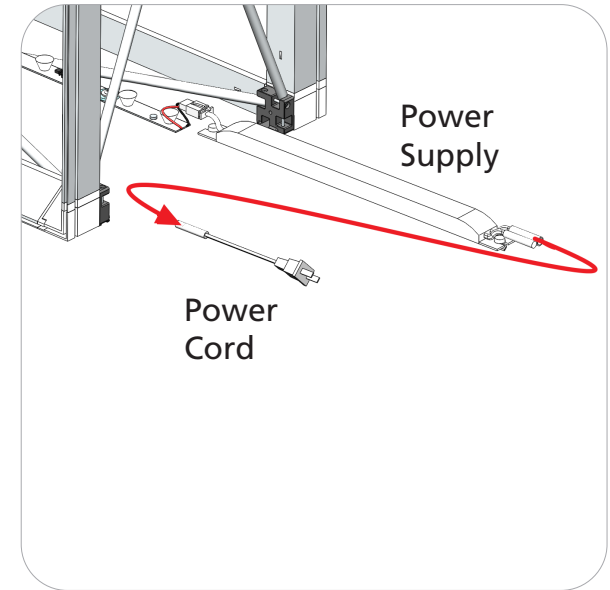
Step 10A.

This step is for kits with one power supply.

Attach the light strip to the power supply. Then, attach the power cord to the power supply.

Refer to the Internal Lighting Diagram for your frame size and more details.

Plug in the power cord for test lighting.

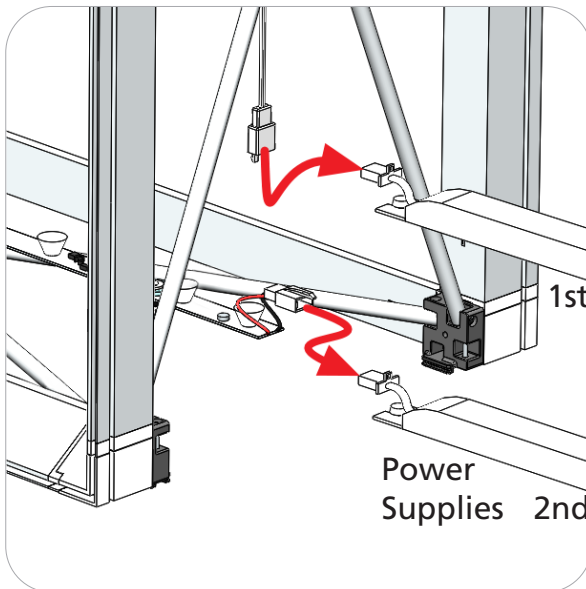


Step 9B.

This step is for Long Extension cord connection for kits with two power supplies.

First, attach the extension cord from the top row of lights to first power supply. Then, attach the bottom row of lights to the second power supply.

Refer to the Internal Lighting Diagram for your frame size and more details.



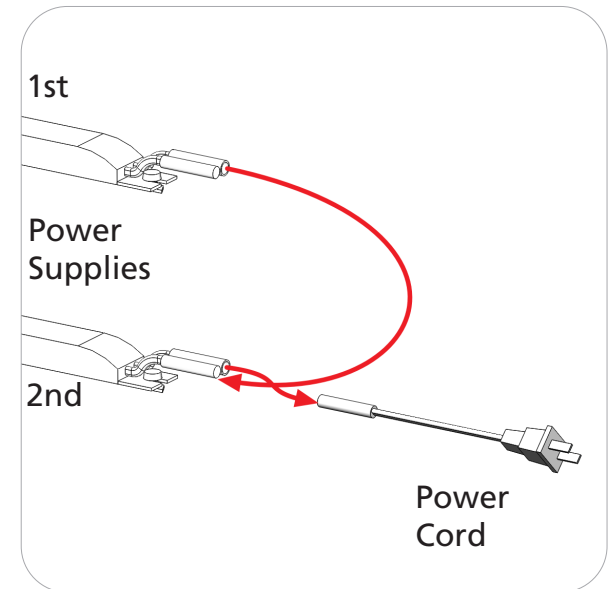
Step 10B.

This step is for kits with two power supplies.

Attach the 1st power supply to directly to the 2nd power supply. Then, attach the power cord to the 2nd power supply.

Refer to the Internal Lighting Diagram for your frame size and more details.

Plug in the power cord for test lighting.



Kit Assembly

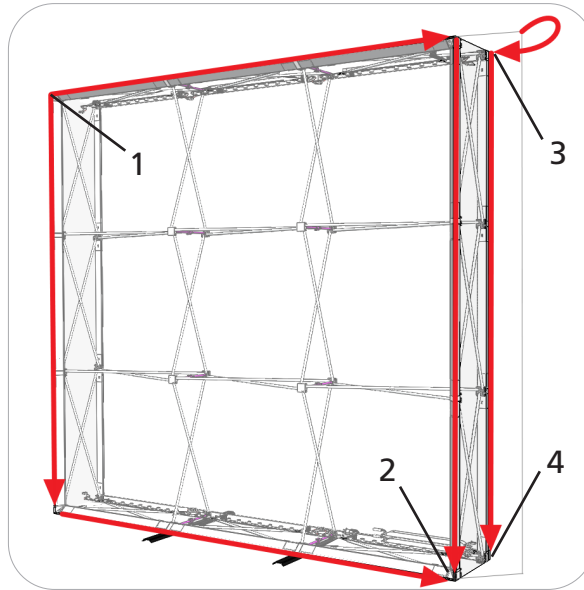
Step by Step

Step 11.

First, take the front graphic with end caps and attach it to the frame. Start at point 1 and work the silicon edge into the channel bars ending at point 2.

Then, take the end cap and fold it back towards the back channel starting at point 3. Work the silicon edge down to point 4. Do the same for the opposite end cap.

Reference Connection Method(s) 3 for more details.

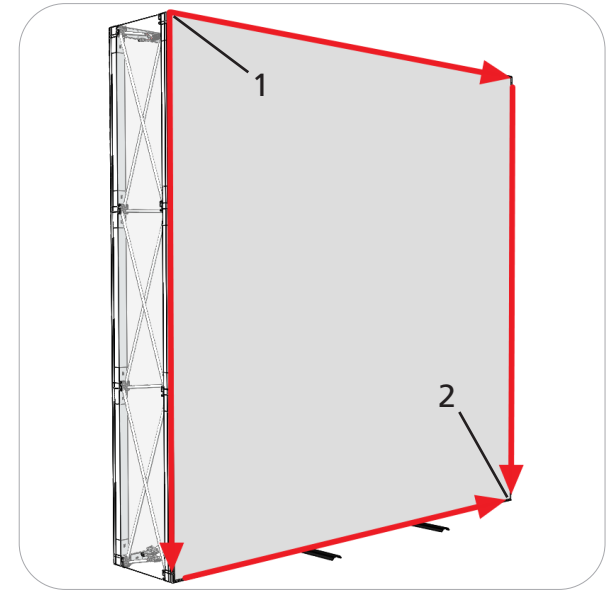


Step 12.

Take the back opaque liner or graphic and attach it to the frame. Start at point 1 and work the silicon edge into the channel bars ending at point 2.

You can leave the power supplies inside the unit. The power cable can be pulled out from the under side.

Reference Connection Method(s) 3 for more details.



Step 13.

Setup is complete.

