

Coyote Internal Shelf

COY-IS-CK

Our professionally finished internal shelf kit offers you the option of presenting products or marketing literature directly from the front face of your Coyote popup display.



features and benefits:

- Presents products or literature
- Two acrylic shelves
- Shelves can be 45° or horizontal
- Quick assembly
- Max capacity per shelf = 15 lbs; max per quadrant = 45 lbs
- Can be added to old or new Coyote system
- For use with curved frame only
- Lighting package available
- Lifetime hardware warranty against manufacturer defects

dimensions:

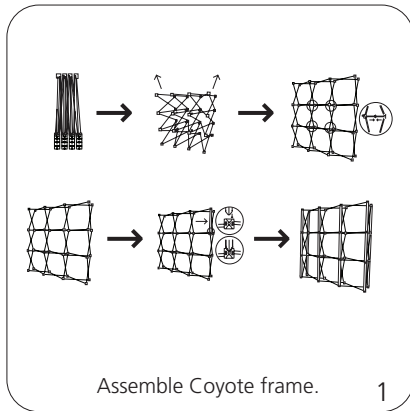
Hardware	Graphic
<p>Assembled unit: 24.75" w x 27" h x 12.75" d 629mm(w) x 686mm(h) x 324mm(d)</p> <p>Acrylic shelf dimensions: 25" w x 1.5" h (lip) x 12.24" d Shelf can hold max 25 lbs when horizontal 12.5 lbs max per shelf at 45° angle</p>	<p>Total visual area: Top graphic: 26.5" w x 30" h 673mm(w) x 762mm(h)</p> <p>Middle back graphic: 26.5" w x 28.5625" h 673mm(w) x 725.4875mm(h)</p> <p>Bottom graphic: 26.5" w x 29" h 672mm(w) x 737mm(h)</p> <p>Refer to related graphic template for more information.</p> <p>Visit: www.exhibitors-handbook.com/graphic-templates</p>
Shipping	
<p>Shipping dimensions: 32" x 16" x 8" 813mm x 406mm x 203mm</p> <p>Shipping weight: 6 lbs / 2.7 kg</p>	

additional information:

- Graphics
- The back, top and bottom fabric/graphic panels need to be purchased separately
 - If printing own graphics, magnet must go directly to edge of panel
- Optional Light Kit
- Can only be used on concave panels
 - Can be used below the Coyote monitor mount, not shown

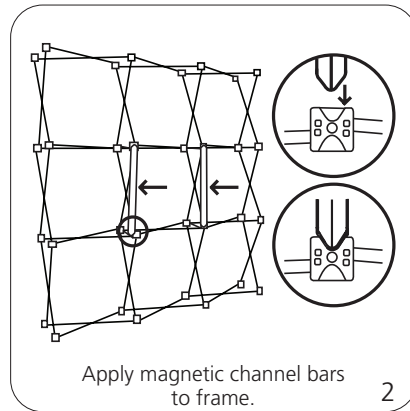
We are continually improving and modifying our product range and reserve the right to vary the specifications without prior notice. All dimensions and weights quoted are approximate and we accept no responsibility for variance. E&OE. See Graphic Templates for graphic bleed specifications.

Assembly



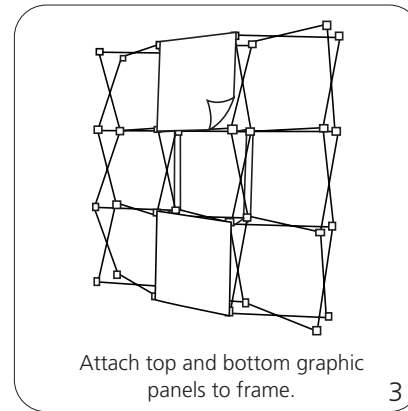
Assemble Coyote frame.

1



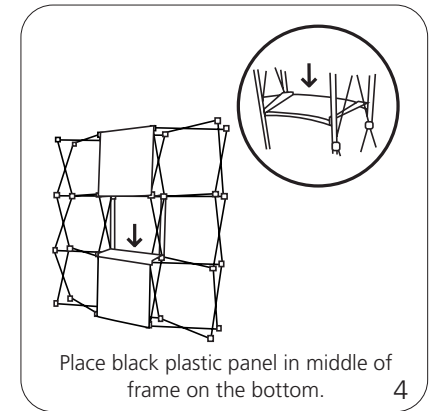
Apply magnetic channel bars to frame.

2



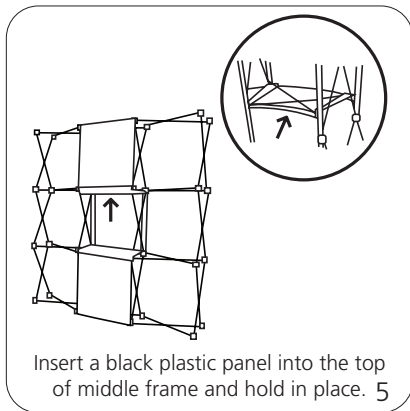
Attach top and bottom graphic panels to frame.

3



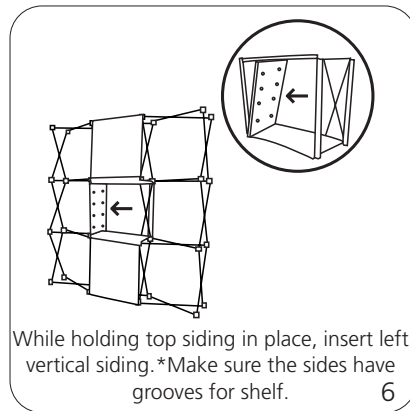
Place black plastic panel in middle of frame on the bottom.

4



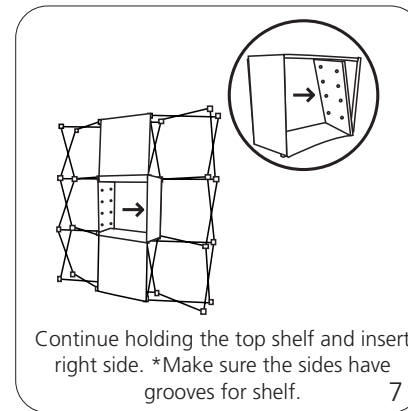
Insert a black plastic panel into the top of middle frame and hold in place.

5



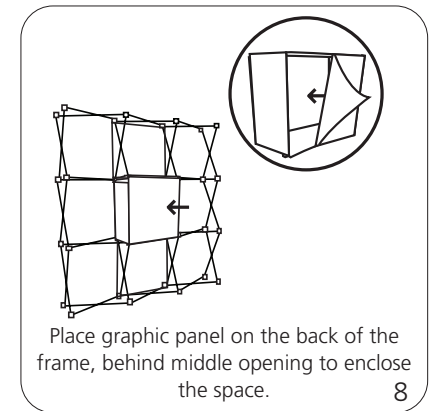
While holding top siding in place, insert left vertical siding. *Make sure the sides have grooves for shelf.

6



Continue holding the top shelf and insert right vertical siding. *Make sure the sides have grooves for shelf.

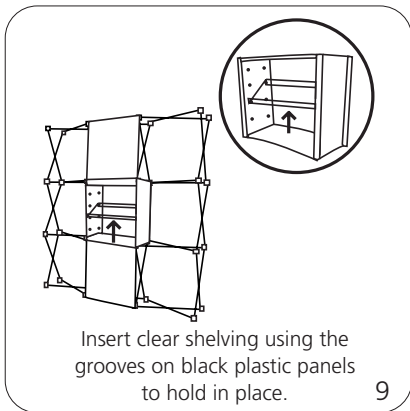
7



Place graphic panel on the back of the frame, behind middle opening to enclose the space.

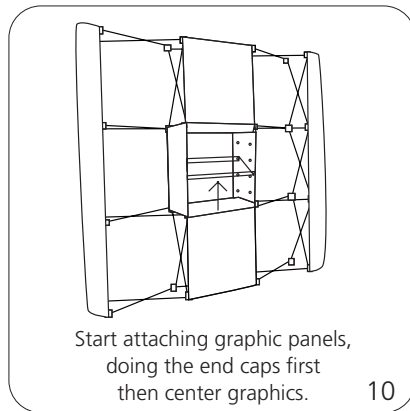
8

Graphic Application



Insert clear shelving using the grooves on black plastic panels to hold in place.

9



Start attaching graphic panels, doing the end caps first then center graphics.

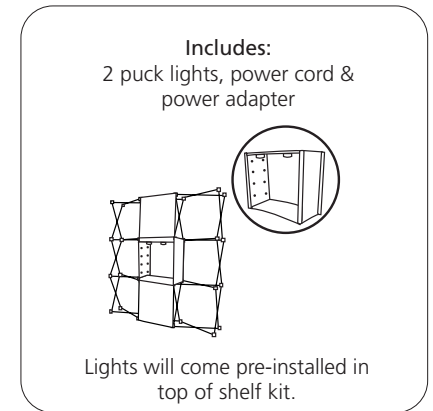
10



Display is complete.

11

Optional Light Kit



Includes:
2 puck lights, power cord &
power adapter

Lights will come pre-installed in top of shelf kit.

12