

LED Economy Flood Light

LUM-LED7-ORL-B (set of 2)

LUM-LED7-ORL-B-EXT (single)

Lighting can create a powerful, impactful presence or display. Illumination is an important piece of the puzzle to achieve the mood, style and staging that you desire. Incorporate modern, bright LED light into your display and draw attention to your brand and message with elegance. With a contemporary profile, you can modernize your display, set the stage, and better communicate a clear message.



features and benefits:

- LED Lumina ECO floodlight with universal light clamp
- Projects cool white light
- Low voltage 12 watt
- Includes 30mm clip
- Cord length is 2.5 meters long from light fixture to transformer
- Light fixture is 17" in length
- One year hardware warranty against manufacturer defects

dimensions:

Hardware

Safety

Assembled unit:
4.13" w x 17" d
105mm(w) x 432mm(d)

- Lumens = 1300M
- Light temperature = 5500K

Approximate weight:
Set of 2: 2.5 lbs / 2 kg
Single: 1.25 lbs / 1 kg

- Read all instructions
CAUTION! To reduce the risk of fire, electric shock or injury to persons:
- Protect the fixture from impact, scratching or abrasions.
 - If the cord-set becomes damaged, replace the cord-set before using fixture.
 - Turn off, unplug fixture and allow to cool before storing.

Shipping

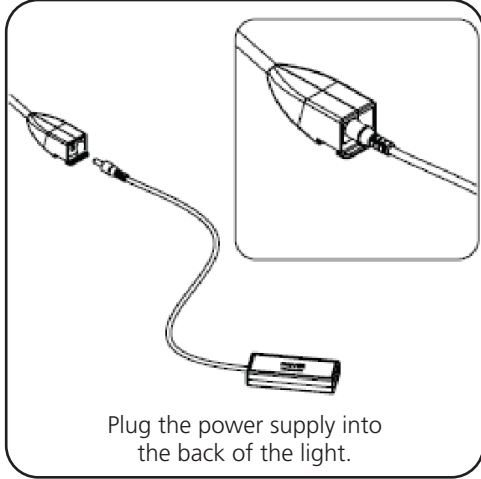
Packing cases:
1 Box

Shipping dimensions:
Set of 2: 21" l x 10" h x 3" d
534mm(l) x 254mm(h) x 77mm(d)
Single: 21" l x 6" h x 3" d
534mm(l) x 153mm(h) x 77mm(d)

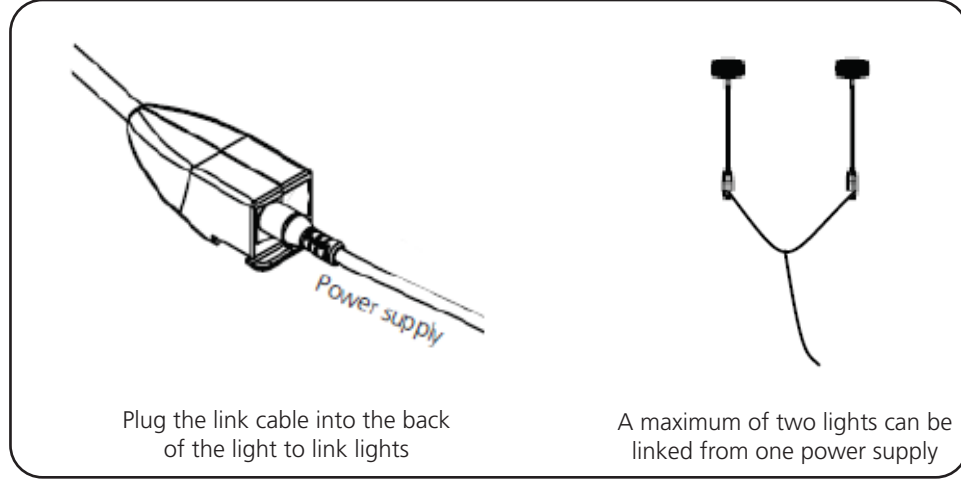
Approximate total shipping weight:
Set of 2: 3 lbs / 2 kg
Single: 2 lbs / 1 kg

We are continually improving and modifying our product range and reserve the right to vary the specifications without prior notice. All dimensions and weights quoted are approximate and we accept no responsibility for variance. E&OE. See Graphic Templates for graphic bleed specifications.

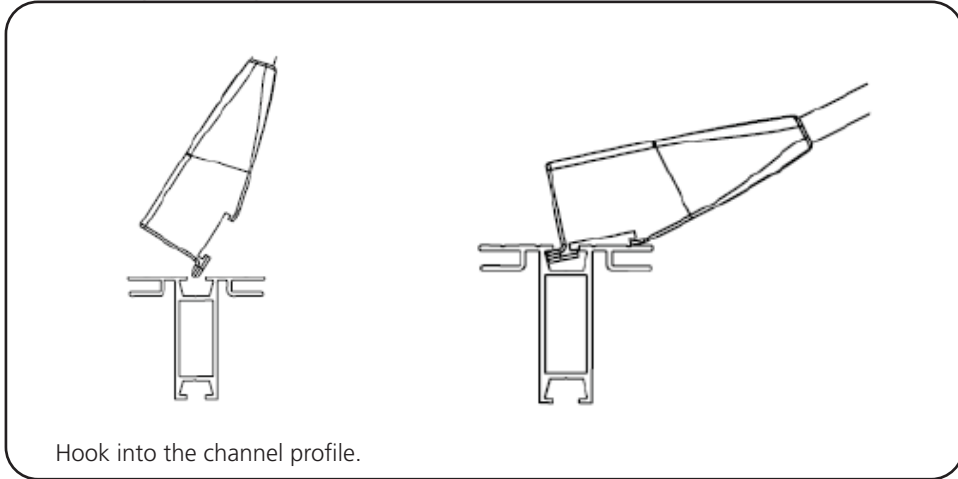
Connecting the Power Supply



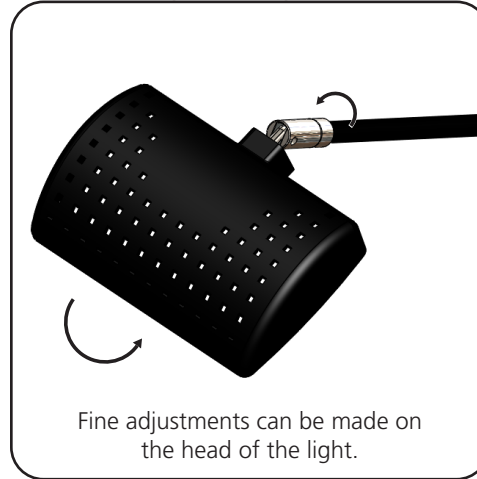
Linking lights together



Attaching the Light to Extrusions



Positioning the Light



Plugging in the Power Supply

