

MODify Gondola Kit 02

MODify™ is a one-of-a-kind Modular Merchandising System that is made up of interchangeable fixtures and accessories that can be easily assembled, disassembled, and rearranged to create a variety of different display configurations. The MODify system incorporates SEG push-fit fabric graphics that enable you to brand, promote and merchandise with ease.

MODify Gondola Kit 02 is composed of five frames adorned with high-quality silicone-edge graphics. This versatile display can be tailored to your brand's unique aesthetic with custom printed graphics, and you can also enhance its functionality by incorporating optional shelves or hang bars.



We are continually improving and modifying our product range and reserve the right to vary the specifications without prior notice. All dimensions and weights quoted are approximate and we accept no responsibility for variance. E&OE. See Graphic Templates for graphic bleed specifications

features and benefits:

Base Kit includes:

- Frame, slatwall, shelf and base colors in kit are all the same, your choice of all white, black, or silver
- Heavy-duty aluminum frame, steel base
- Steel, slotted uprights
- Five frames: two ends, two center, one header
- Two, 35W" sections in center hold SEG push-fit fabric graphics on both sides
- End caps each hold a 28"W x 81"H SEG push-fit fabric graphic, black liners on inside
- Frame topper with 59"W x 12"H SEG push-fit graphic, one on each side
- Non-rolling base
- Display is easy to assemble and install
- Lifetime hardware warranty against manufacturer defects

Optional Accessories Include:

- Towel bars.
- U bars
- Faceout bars
- Shelves

dimensions:

Hardware

Assembled unit:

76.5"W x 96"H x 28.5"D
1943.1mm(w) x 2438.4mm(h) x 723.9mm(d)

Approximate Weight:
104 lbs / 47.1736 kg

Shipping

Packing case(s):
1 Box

Shipping dimensions:
(85"L x 14"H x 24"D)
2159mm(l) x 355.6mm(h) x 609.6mm(d)

Approximate shipping weight:
177 lbs / 80.2858 kg

additional information:

Graphics

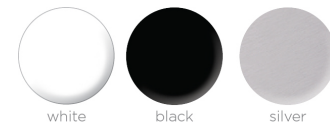
Graphic material: Dye-sublimated fabric

See graphic templates for graphic sizes.

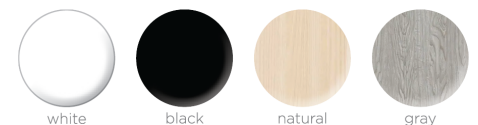
Refer to related graphic templates for more information Visit:

<https://www.theexhibitorshandbook.com/downloads/download-graphic-templates> or click here

Powder coat color options:



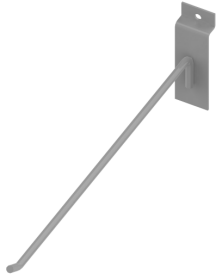
Wood laminate color options:



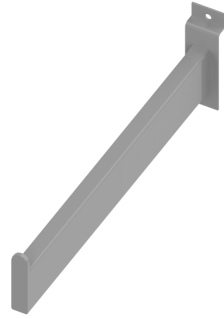
MODify Accessories

All Accessories available in white, black, or silver

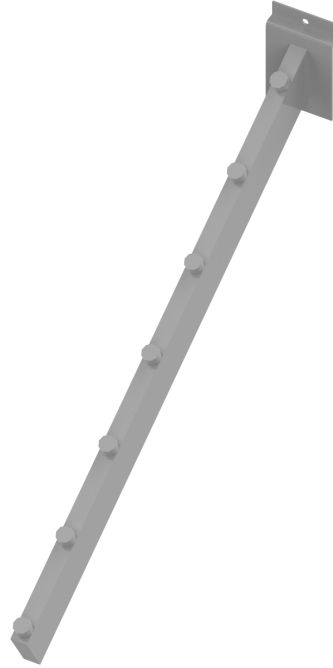
Slotwall Accessories



MFY-SLT-HK
4", 6", 8", 10" & 12"

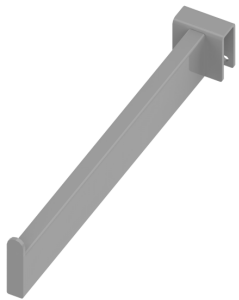


MFY-SLT-FC
6", 8", 10" & 12"

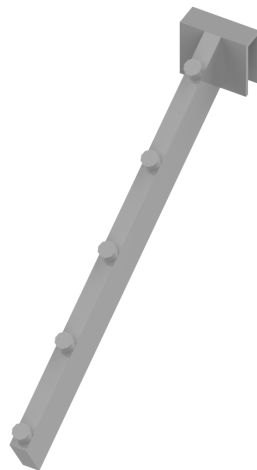


MFY-SLT-WTR-16-7

U-Bar Accessories



MFY-TWL-FC
6", 8" & 10"

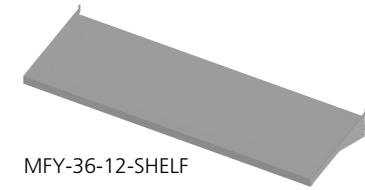


MFY-UBR-FC
6", 8" & 10"

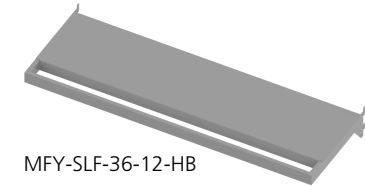


MFY-CSTR-4-PK

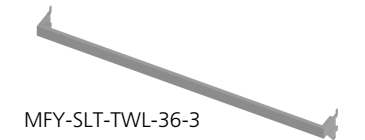
Shelf and Hanger Bars



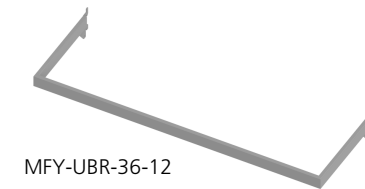
MFY-36-12-SHELF



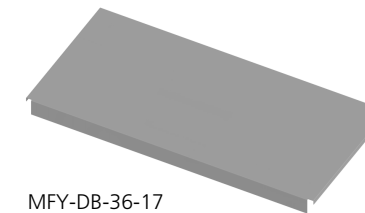
MFY-SLF-36-12-HB



MFY-SLT-TWL-36-3



MFY-UBR-36-12



MFY-DB-36-17

Tools Required



MULTI HEX KEY
(INCLUDED)



PHILLIPS SCREW DRIVER
(NOT INCLUDED)

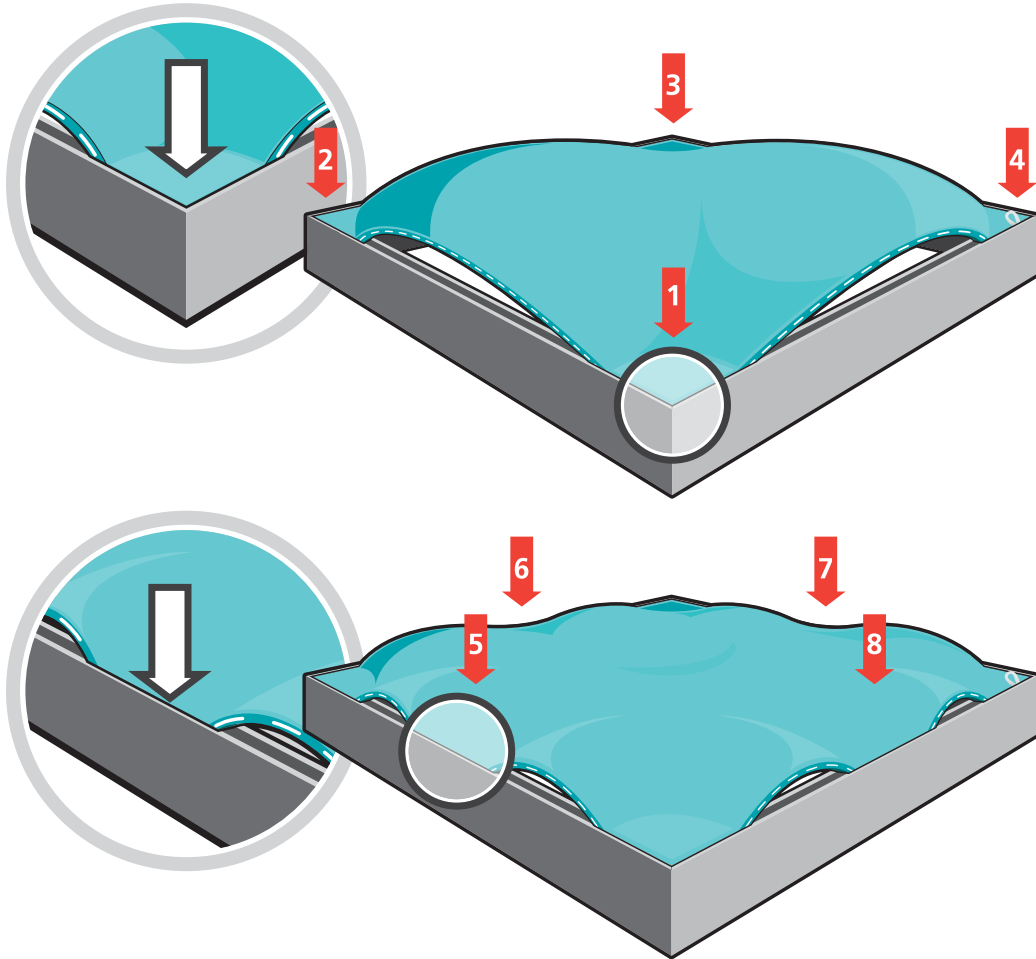


9/16" SOCKET WRENCH
(NOT INCLUDED)

How to Apply & Remove Graphics

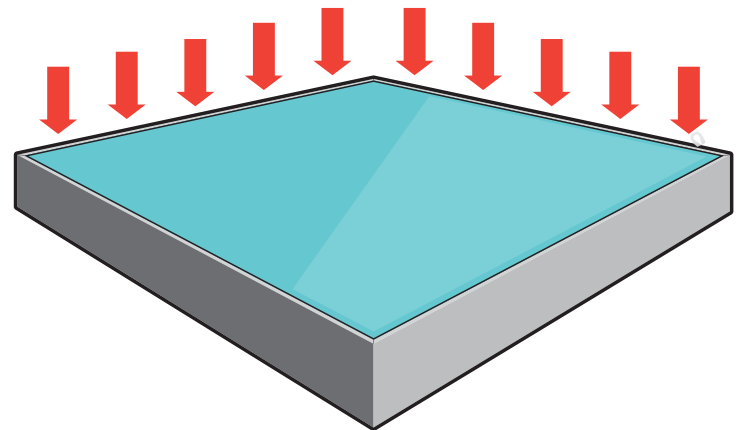
Installation and removal of SEG graphics is easy!

Installation: Push the SEG bead into each corner of the frame (1-4) with your thumb, then push the SEG bead into the middle of the run (5-8) and work your way around the perimeter of the frame until all beading is pushed in properly; if necessary, go around the perimeter again to ensure beading is secure in the extrusion profile.











Note: Keep the set up area clean by using a drop cloth, washing hands before set-up or by wearing gloves.

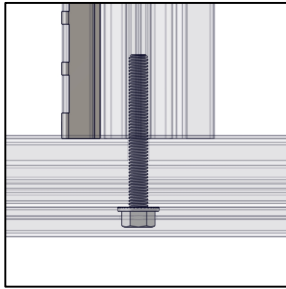
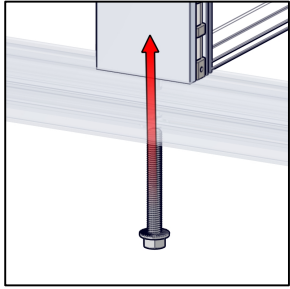
Removal: Use the pull tab located on the graphic and gently pull the graphic from the frame, going around the perimeter.



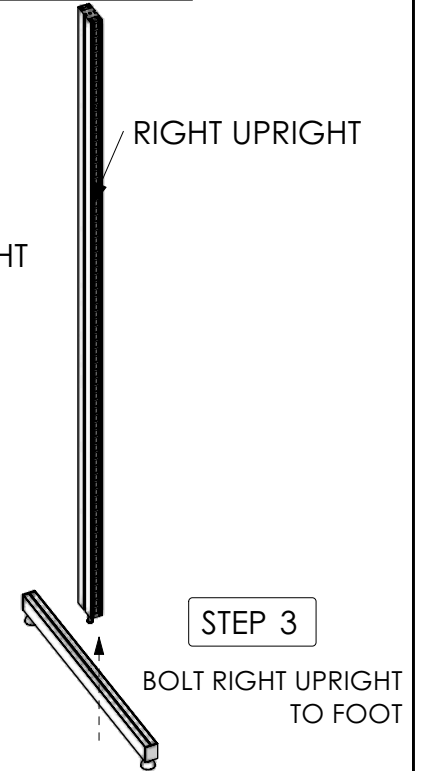
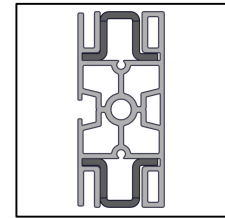
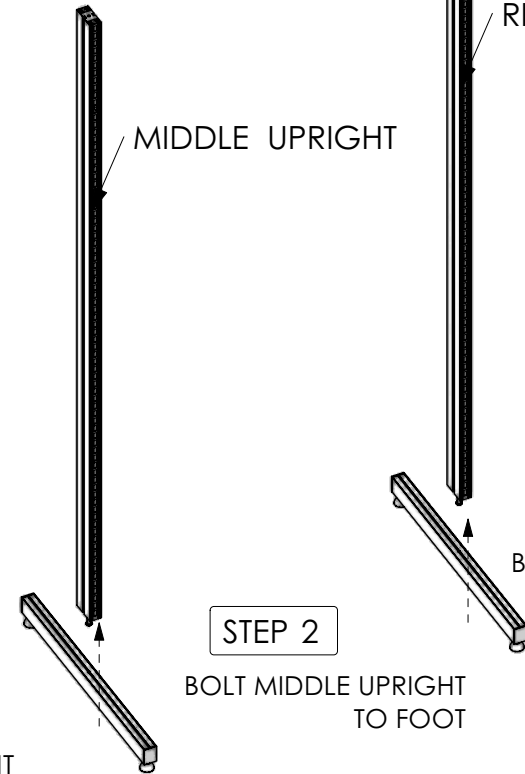
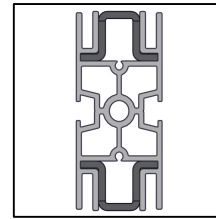
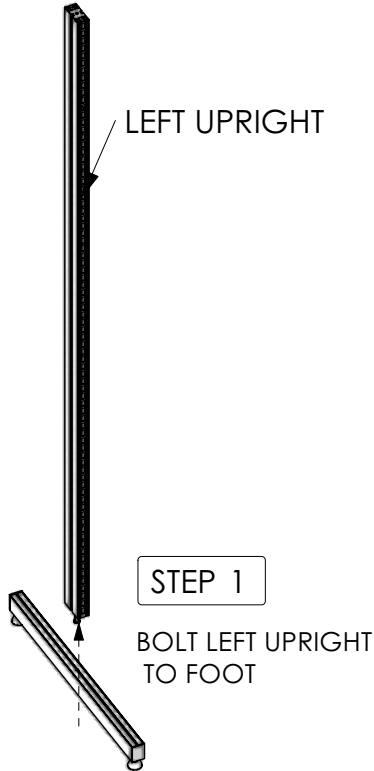
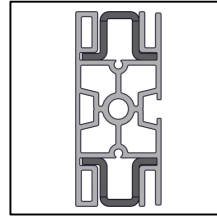
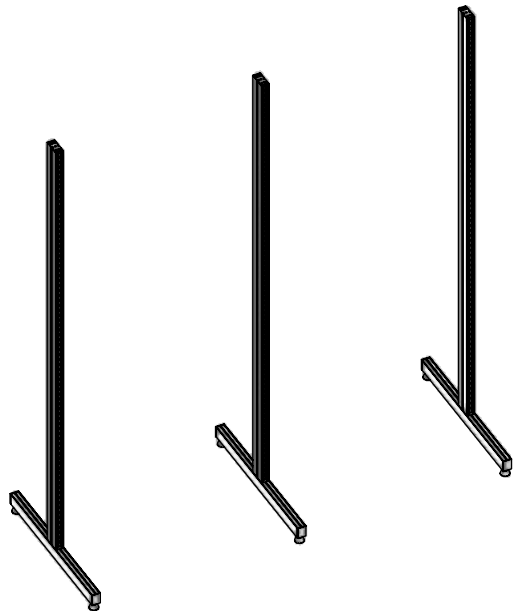
Graphics Storage & Care

Graphics should be folded with the graphic facing inward and stored in a zip lock /sealable plastic bag. Spot clean by wiping with a damp white cloth. If washing is necessary, use a commercial size front-loading washing machine, gentle cycle with cool water. Line dry flat. Dry cleaning is NOT recommended to prevent shrinkage.

QTY	IMAGE	DESCRIPTION
11		
3		3/8-16 x 2.5-3"L bolt
1		2045MM (80.51in) O RIGHT UPRIGHT
1		2045MM (80.51in) OF 832 MIDDLE UPRIGHT
2		305MM (12in) LENGTH OF SHELF STANDARD EXTRUSION
1		2045MM (80.51in) LEFT UPRIGHT
1		708MM (27.87IN) MIDDLE SUPPORT LEG
1		708MM (27.87IN) LEFT SUPPORT LEG
1		708MM (27.87IN) RIGHT SUPPORT LEG

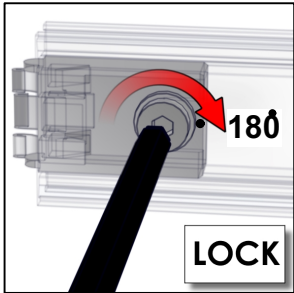


MFY-BOLT-375-16-2.5

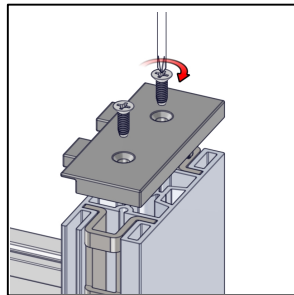
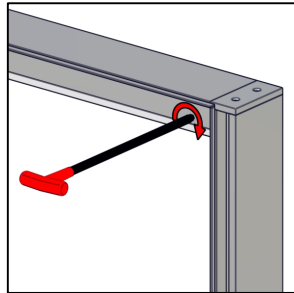


SETUP INSTRUCTIONS

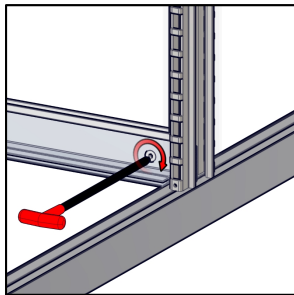
QTY	IMAGE	DESCRIPTION
4		883MM (34.76in) OF SINGLE SIDED SEG EXTRUSION WITH CAM LOCKS BOTH ENDS
3		7MM SEG PLASTIC END CAP FOR 832 EXTRUSION



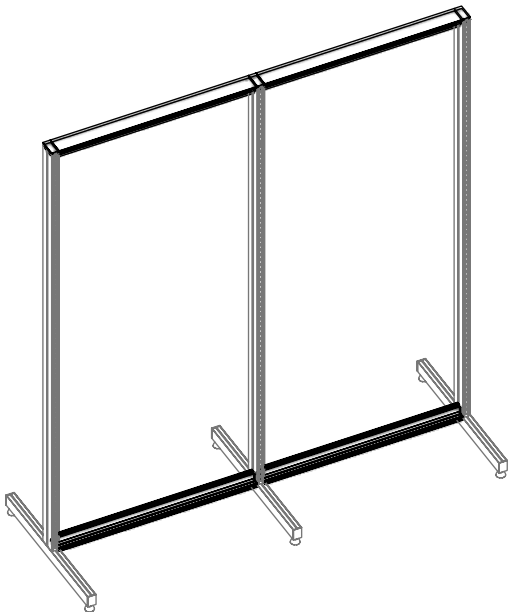
IMPORTANT! MAKE A HALF TURN TO LOCK EXTRUSIONS



LOOSEN END CAP TO ATTACH TOP CROSS BRACE



CROSS BRACE SITS ON SUPPORT LEGS



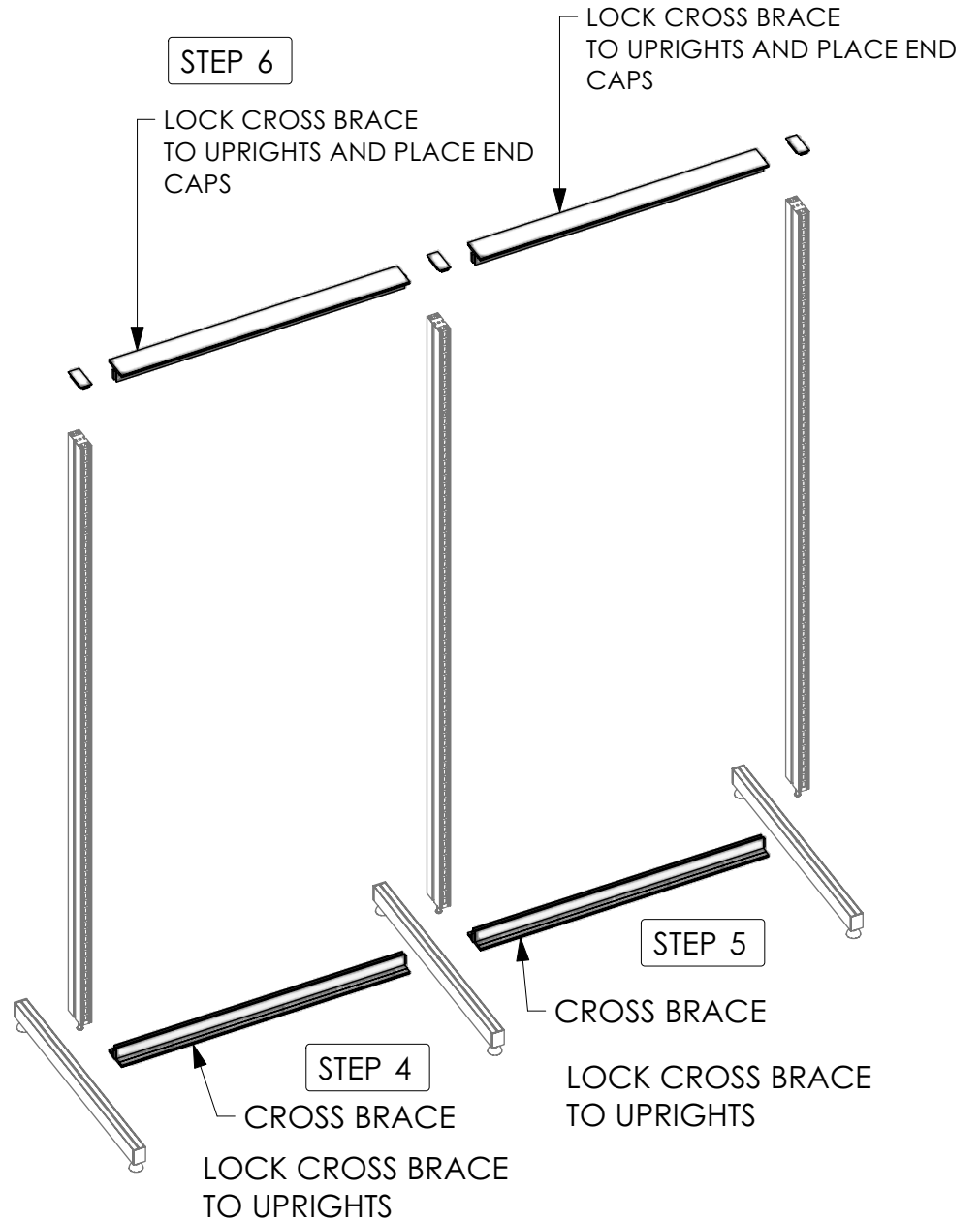
SETUP INSTRUCTIONS

STEP 7

LOCK CROSS BRACE TO UPRIGHTS AND PLACE END CAPS


STEP 6

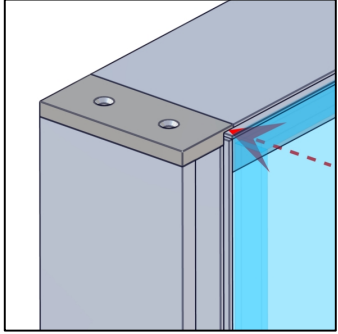
LOCK CROSS BRACE TO UPRIGHTS AND PLACE END CAPS



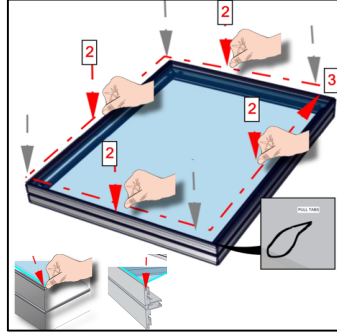
NOTE: BOTTOM CROSS BRACE SITS ON TOP INSIDE EDGE OF LEFT AND RIGHT SUPPORT LEG

SETUP INSTRUCTIONS

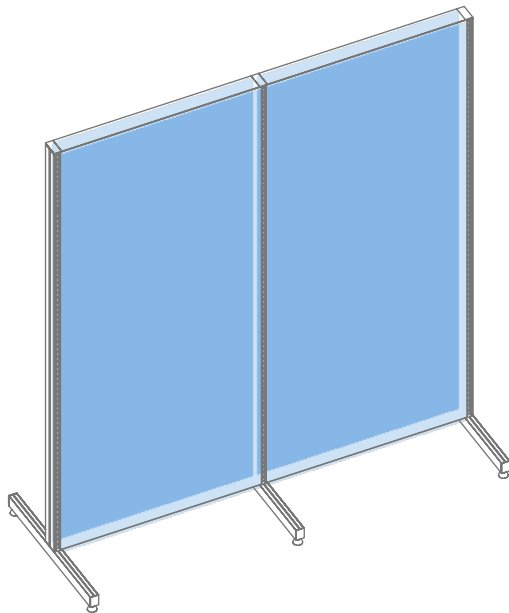
QTY	IMAGE	DESCRIPTION
4		(39.26 w X 84.59 h total size) 35.26 w X 80.59 h finish size, Dye-sub print on Eclipse Blockout Stretch, single sided, sewn with FCE-2 silicone beading around perimeter & pull tab in bottom right corner (WITH 1/4" NOTCH LEFT & RIGHT BOTTOM HORIZONTAL SIDE CORNERS)



PRESS GRAPHIC INTO CORNERS



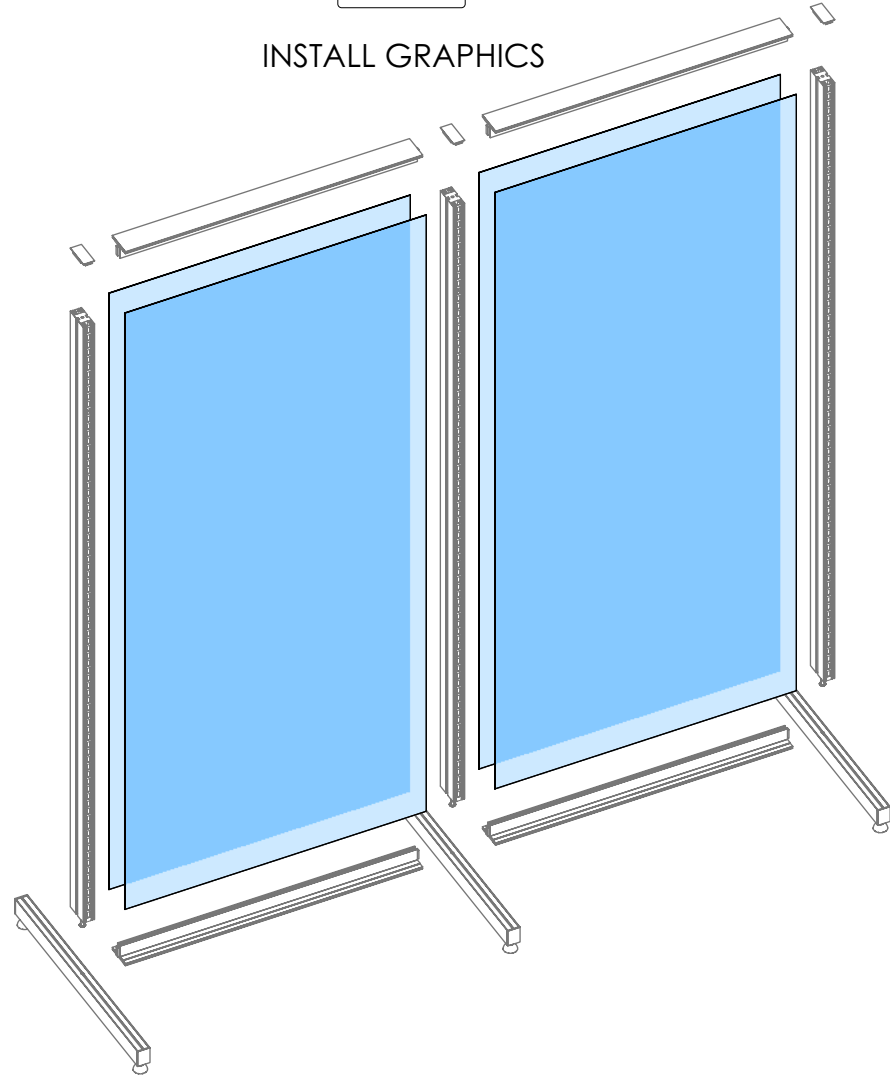
THEN PRESS ALONG THE PERIMETER EDGE



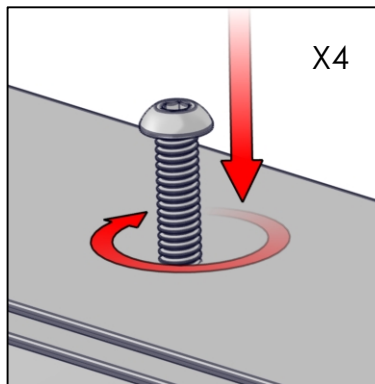
STEP 8

INSTALL GRAPHICS

STEP 9



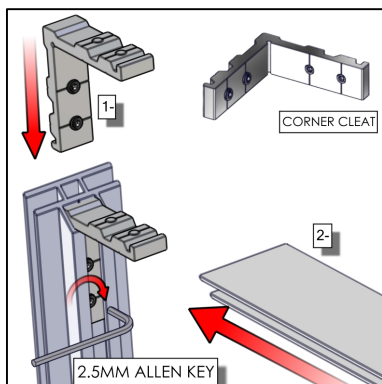
QTY	IMAGE	DESCRIPTION
2		1500MM (59.06in) LENGTH OF WMFCD EXTRUSION 45 DEGREE MITER CUT BOTH ENDS
4		SINGLE VECTOR CORNER CLEAT
2		305MM (12.01in) LENGTH OF WMFCD EXTRUSION 45 DEGREE MITER CUT BOTH ENDS
5		1/4"-20 x 13"L bolt



SETUP INSTRUCTIONS

STEP 11

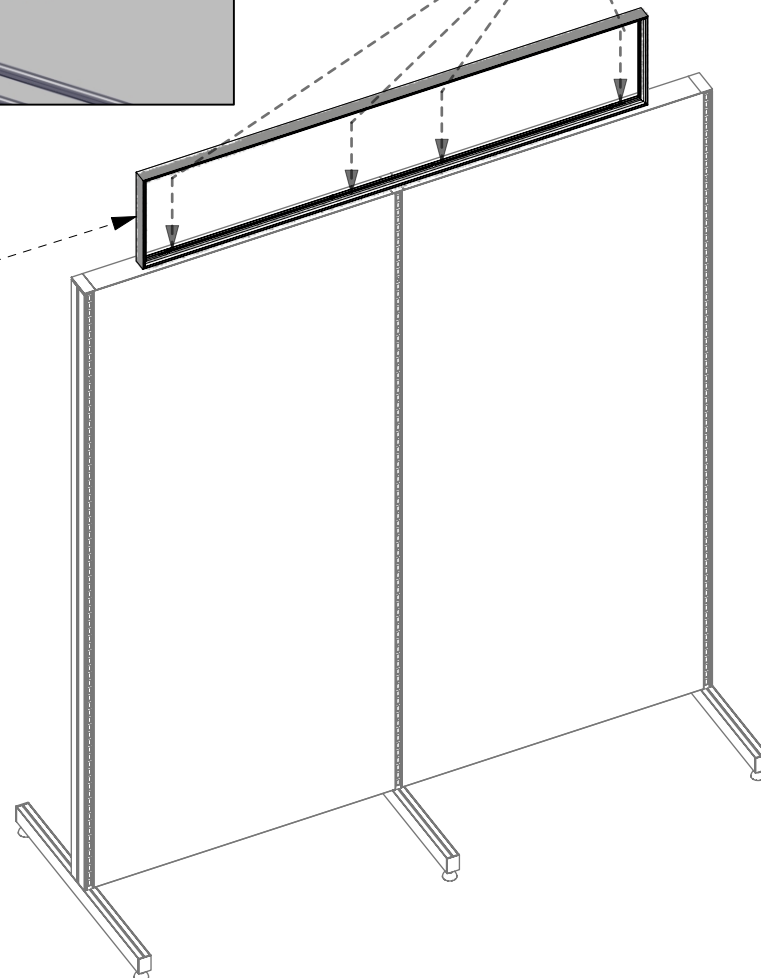
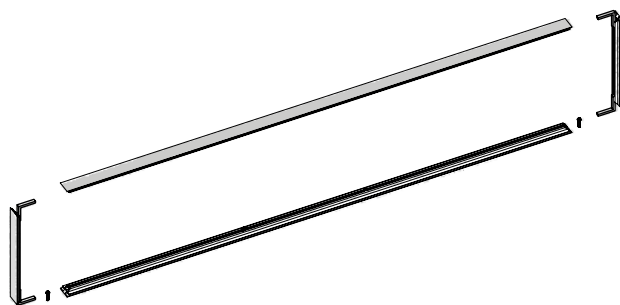
BOLT TOP FRAME
TO CROSS BRACE




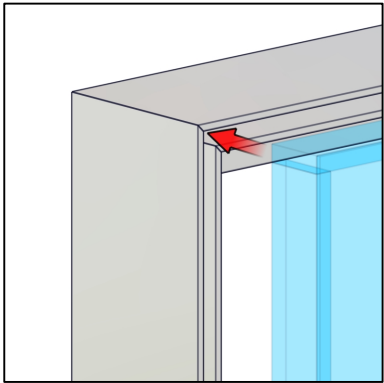
CORNER CLEAT

STEP 10

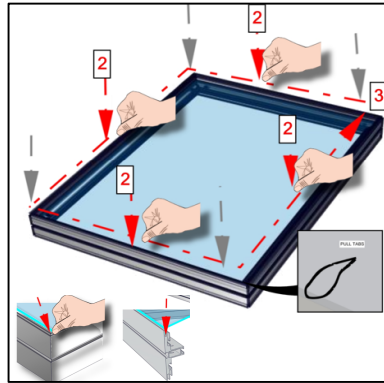
ASSEMBLE TOP
FRAME



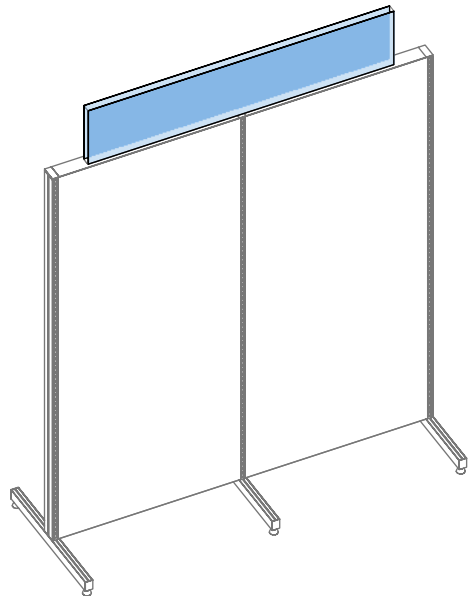
QTY	IMAGE	DESCRIPTION
2		(62.94 w X 15.88 h total size) 58.94 w X 11.88 h finish size, Dye-sub print on Eclipse Blockout Stretch, single sided, sewn with FCE-2 silicone beading around perimeter & pull tab in bottom right corner



PRESS GRAPHIC INTO CORNERS

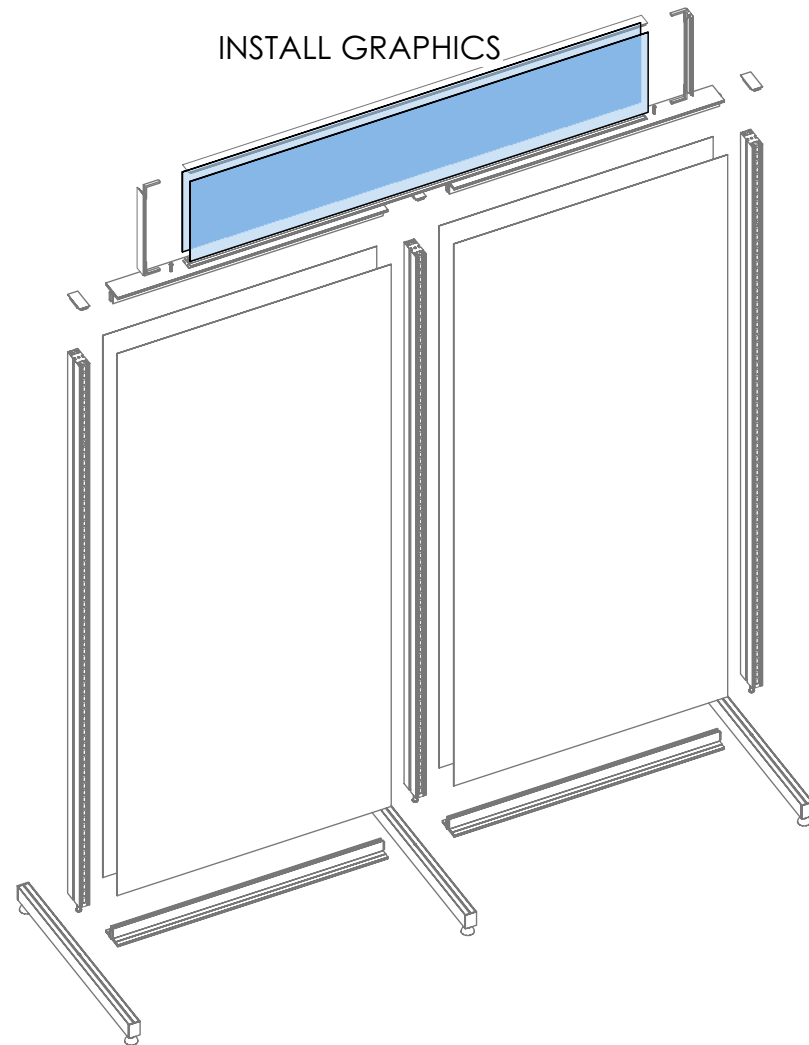





THEN PRESS ALONG THE PERIMETER EDGE



STEP 12

INSTALL GRAPHICS

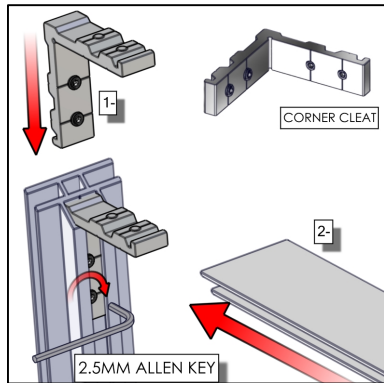


QTY	IMAGE	DESCRIPTION
4		2050MM (80.71in) LENGTH OF WMFCD EXTRUSION 45 DEGREE MITER CUT BOTH ENDS
2		711MM (27.99in) LENGTH OF WMFCD EXTRUSION 45 DEGREE MITER CUT BOTH ENDS WITH SIDE BRACKET
8		SINGLE VECTOR CORNER CLEAT
3		711MM (27.99in) LENGTH OF WMFCD EXTRUSION 45 DEGREE MITER CUT BOTH ENDS
2		2020MM LENGTH OF PH1 EXTRUSION-WITH CAM LOCKS BOTH ENDS

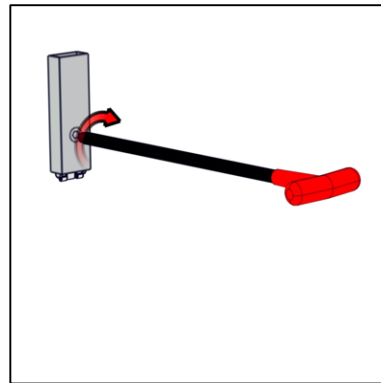
SETUP INSTRUCTIONS

STEP 13

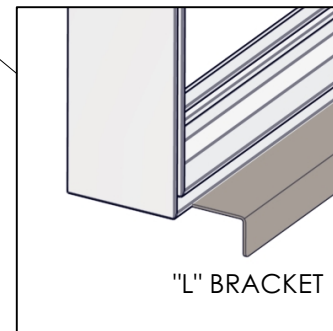
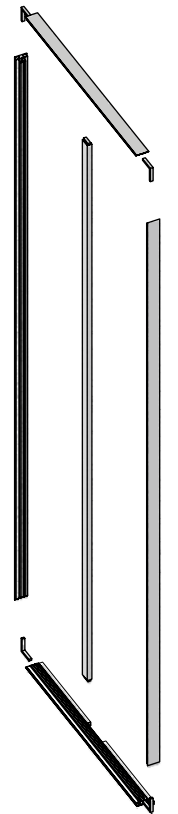
ASSEMBLE X2 FRAMES



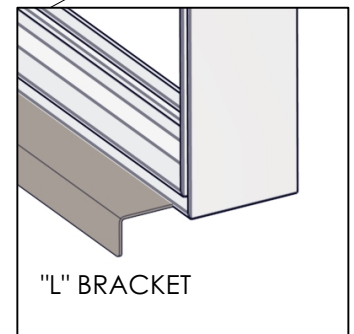
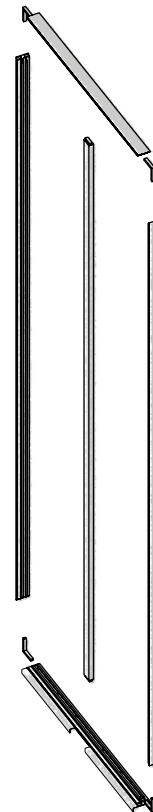
CORNER CLEAT



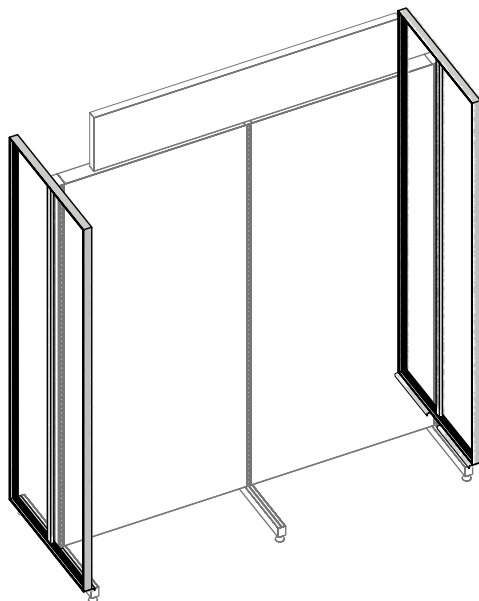
IMPORTANT! MAKE A HALF TURN
TO LOCK EXTRUSIONS




"L" BRACKET

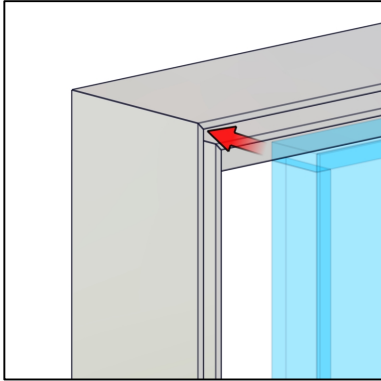


"L" BRACKET

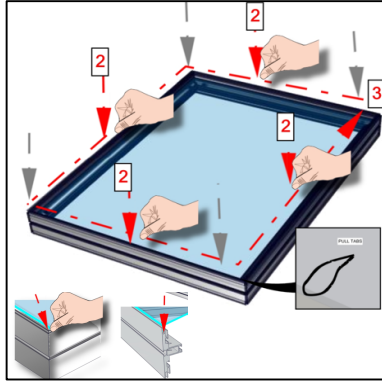


QTY	IMAGE	DESCRIPTION
2		(31.88 w X 84.59 h total size) 27.88 w X 80.59 h finish size, Unprinted 5oz. Black Soft Knit, sewn with silicone beading around perimeter & pull tab in bottom right corner

SETUP INSTRUCTIONS



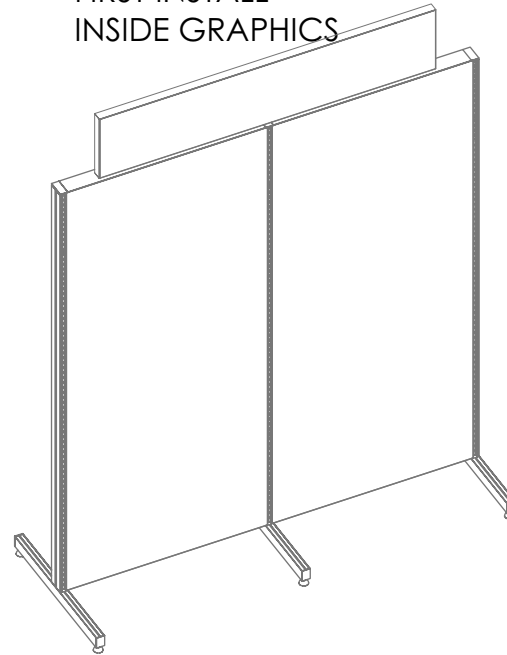
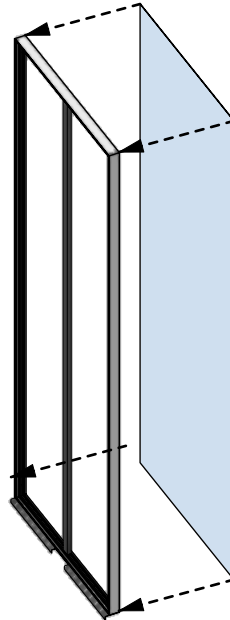
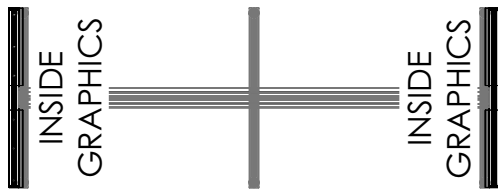
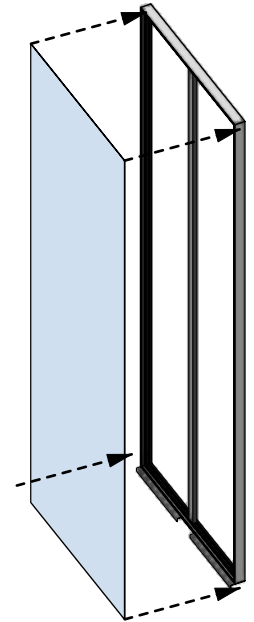
PRESS GRAPHIC INTO CORNERS





THEN PRESS ALONG THE PERIMETER EDGE

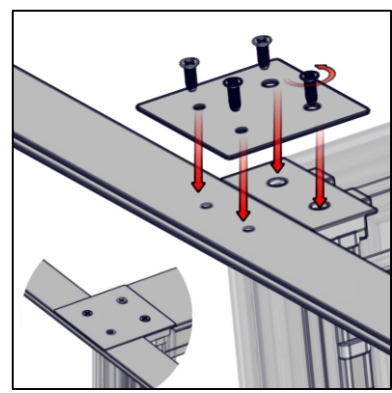
STEP 14

FIRST INSTALL INSIDE GRAPHICS



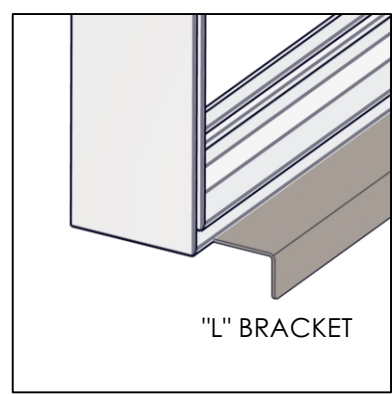
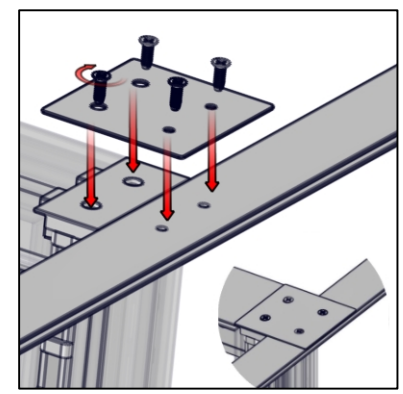
QTY	IMAGE	DESCRIPTION
2		SIDE BRACKET
8		MFY-BOLT-8-32-0.75

SETUP INSTRUCTIONS

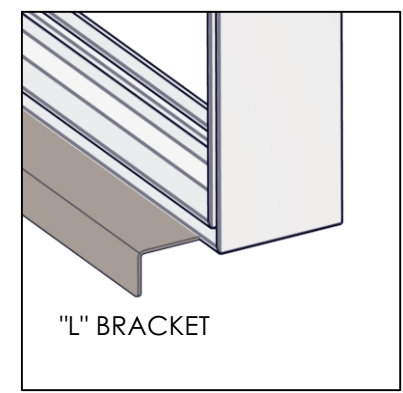


STEP 16

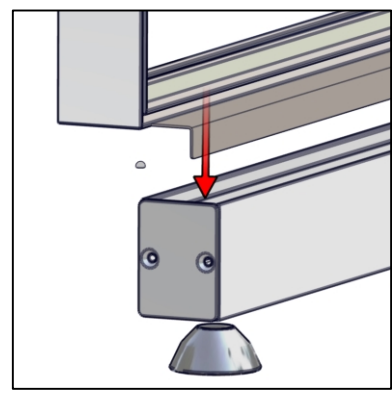
*FASTEN SCREWS TO PLATE



"L" BRACKET

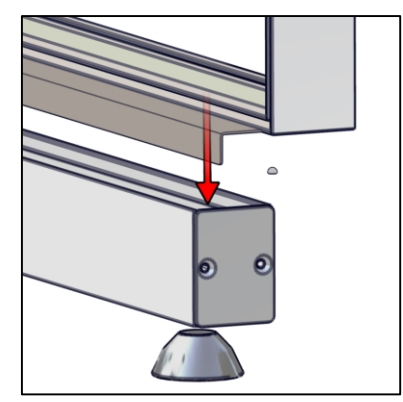



"L" BRACKET



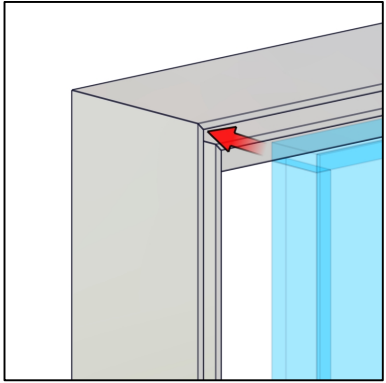
STEP 15

PLACE FRAME WITH "L" BRACKET ON GROOVE

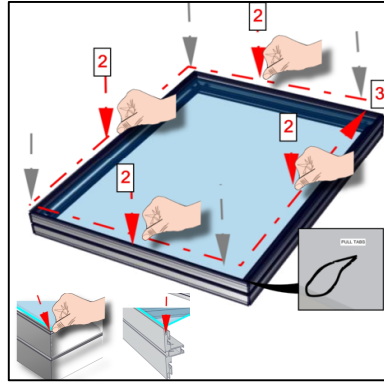


QTY	IMAGE	DESCRIPTION
2		(31.88 w X 84.59 h total size) 27.88 w X 80.59 h finish size, Dye-sub print on Eclipse Blockout Stretch, single sided, sewn with FCE-2 silicone beading around perimeter & pull tab in bottom right corner

SETUP INSTRUCTIONS



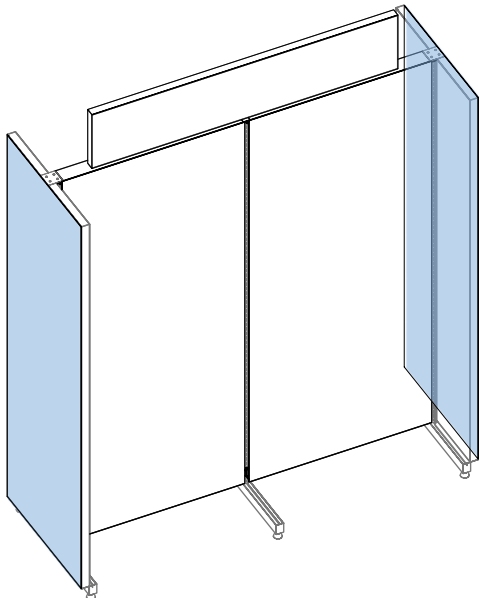
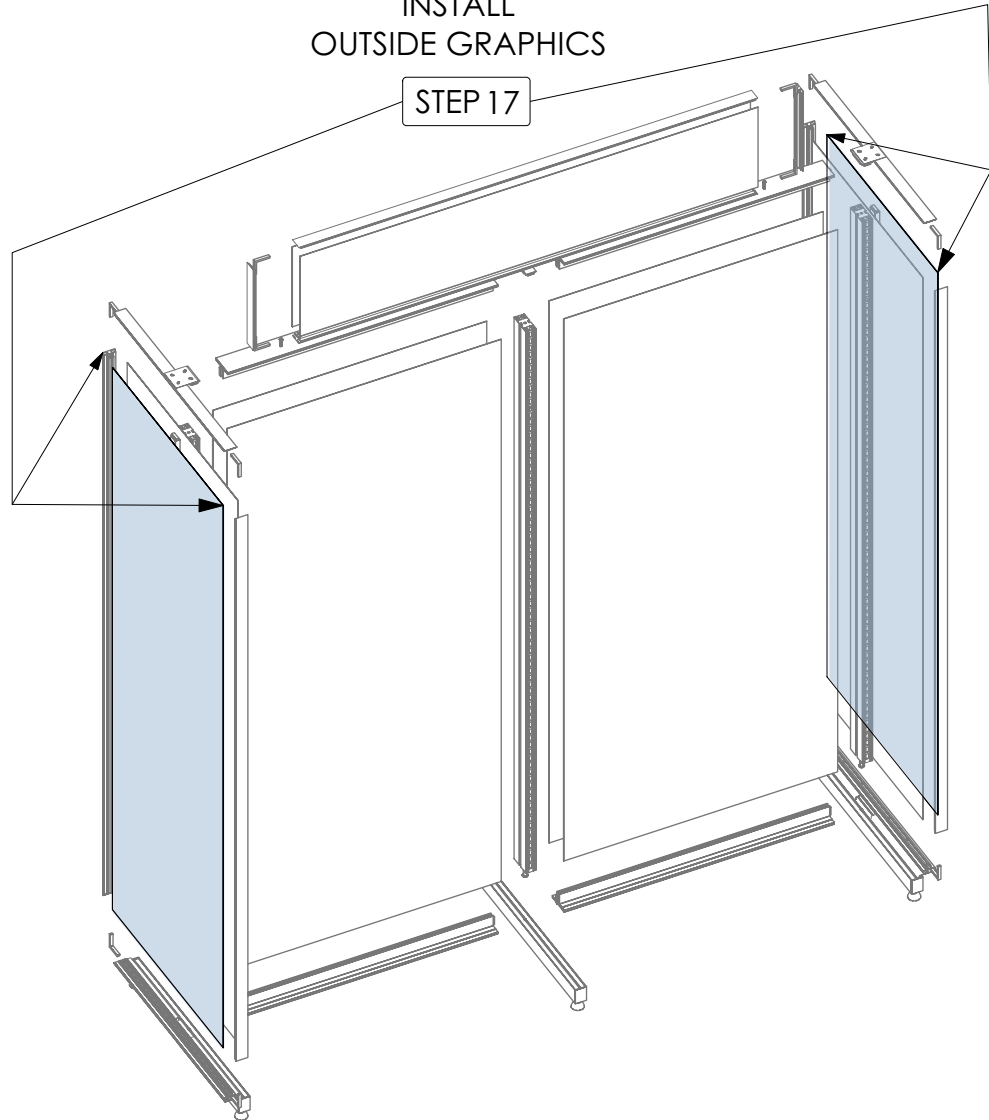
PRESS GRAPHIC INTO CORNERS



THEN PRESS ALONG THE PERIMETER EDGE

INSTALL OUTSIDE GRAPHICS

STEP 17



Kit Hardware BOM

ITEM	COMPONENTS	QTY	DESCRIPTION
	101-2020-01-01	2	2020MM LENGTH OF PH1 EXTRUSION-WITH CAM LOCKS BOTH ENDS
	306-305-15-15	2	305MM (12.01in) LENGTH OF WMFCD EXTRUSION 45 DEGREE MITER CUT BOTH ENDS
	306-711-15-15	3	711MM (27.99in) LENGTH OF WMFCD EXTRUSION 45 DEGREE MITER CUT BOTH ENDS
	306-711-15-15	2	711MM (27.99in) LENGTH OF WMFCD EXTRUSION 45 DEGREE MITER CUT BOTH ENDS WITH SIDE BRACKET
	306-1500-15-15	2	1500MM (59.06in) LENGTH OF WMFCD EXTRUSION 45 DEGREE MITER CUT BOTH ENDS
	306-2050-15-15	4	2050MM (80.71in) LENGTH OF WMFCD EXTRUSION 45 DEGREE MITER CUT BOTH ENDS
	824-708	1	708MM (27.87IN) MIDDLE SUPPORT LEG
	824-708	1	708MM (27.87IN) RIGHT SUPPORT LEG
	824-708	1	708MM (27.87IN) LEFT SUPPORT LEG
	832-2045	1	2045MM (80.51in) LEFT UPRIGHT
	832-2045	1	2045MM (80.51in) O RIGHT UPRIGHT
	832-2045	1	2045MM (80.51in) OF 832 MIDDLE UPRIGHT
	832-EC	3	7MM SEG PLASTIC END CAP FOR 832 EXTRUSION
	835-883-01-01	4	883MM (34.76in) OF SINGLE SIDED SEG EXTRUSION -WITH CAM LOCKS BOTH ENDS
	MFY-BOLT-.25-20-1	5	1/4"-20 x 13"L bolt
	MFY-BOLT-8-32-0.75	8	MFY-BOLT-8-32-0.75
	MFY-BOLT-375-16-2.5	3	3/8-16 x 2.5-3"L bolt
	MFY-SLF-STD-12	2	305MM (12in) LENGTH OF SHELF STANDARD EXTRUSION
	SIDE BRACRET	2	SIDE BRACKET
	VF-CC	12	SINGLE VECTOR CORNER CLEAT

Kit Graphics BOM

	MFY-GN-02-A-G	1	(31.88 w X 84.59 h total size) 27.88 w X 80.59 h finish size, Dye-sub print on Eclipse Blockout Stretch, single sided, sewn with FCE-2 silicone beading around perimeter & pull tab in bottom right corner
	MFY-GN-02-B-G	1	(31.88 w X 84.59 h total size) 27.88 w X 80.59 h finish size, Unprinted 5oz. Black Soft Knit, sewn with silicone beading around perimeter & pull tab in bottom right corner
	MFY-GN-02-C-G	1	(39.26 w X 84.59 h total size) 35.26 w X 80.59 h finish size, Dye-sub print on Eclipse Blockout Stretch, single sided, sewn with FCE-2 silicone beading around perimeter & pull tab in bottom right corner (WITH 1/4" NOTCH LEFT & RIGHT BOTTOM HORIZONTAL SIDE CORNERS)
	MFY-GN-02-D-G	1	(39.26 w X 84.59 h total size) 35.26 w X 80.59 h finish size, Dye-sub print on Eclipse Blockout Stretch, single sided, sewn with FCE-2 silicone beading around perimeter & pull tab in bottom right corner (WITH 1/4" NOTCH LEFT & RIGHT BOTTOM HORIZONTAL SIDE CORNERS)
	MFY-GN-02-E-G	1	(31.88 w X 84.59 h total size) 27.88 w X 80.59 h finish size, Unprinted 5oz. Black Soft Knit, sewn with silicone beading around perimeter & pull tab in bottom right corner
	MFY-GN-02-F-G	1	(31.88 w X 84.59 h total size) 27.88 w X 80.59 h finish size, Dye-sub print on Eclipse Blockout Stretch, single sided, sewn with FCE-2 silicone beading around perimeter & pull tab in bottom right corner
	MFY-GN-02-G-G	1	(39.26 w X 84.59 h total size) 35.26 w X 80.59 h finish size, Dye-sub print on Eclipse Blockout Stretch, single sided, sewn with FCE-2 silicone beading around perimeter & pull tab in bottom right corner (WITH 1/4" NOTCH LEFT & RIGHT BOTTOM HORIZONTAL SIDE CORNERS)
	MFY-GN-02-H-G	1	(39.26 w X 84.59 h total size) 35.26 w X 80.59 h finish size, Dye-sub print on Eclipse Blockout Stretch, single sided, sewn with FCE-2 silicone beading around perimeter & pull tab in bottom right corner (WITH 1/4" NOTCH LEFT & RIGHT BOTTOM HORIZONTAL SIDE CORNERS)
	MFY-GN-02-I-G	1	(62.94 w X 15.88 h total size) 58.94 w X 11.88 h finish size, Dye-sub print on Eclipse Blockout Stretch, single sided, sewn with FCE-2 silicone beading around perimeter & pull tab in bottom right corner
	MFY-GN-02-J-G	1	(62.94 w X 15.88 h total size) 58.94 w X 11.88 h finish size, Dye-sub print on Eclipse Blockout Stretch, single sided, sewn with FCE-2 silicone beading around perimeter & pull tab in bottom right corner