

Formulate 15' Straight

FMLT-WS15-01

FMLT-WS15-F

Formulate® is a collection of sophisticated, ergonomically designed exhibit booths. Formulate combines state-of-the-art zipper pillowcase dye-sublimated fabric coverings with advanced lightweight aluminum structures to provide unique design, functionality, and style. This 15' straight fabric backwall is ideal for in-store promotions, and indoor events of all types. The excellence of the Formulate line of displays, hanging structures and products is simply unmatched. Stretch fabric graphics are hand-sewn, durable and dry-cleanable.



features and benefits:

- State-of-the-art 30mm aluminum tube frame with snap button assembly
- Available as either single-sided or double-sided units
- Easy to store and ship
- Quick to set up
- Kit includes: one frame, one pillowcase graphic and one wheeled molded storage case
- Lifetime hardware warranty against manufacturer defects

dimensions:

Hardware

Graphic

Assembled unit:

177" w x 92" h x 17.75" d
4496mm(w) x 2337mm(h) x 451mm(d)

Refer to related graphic template for more information.

Visit:

www.exhibitors-handbook.com/graphic-templates

Approximate weight (includes graphic):
39 lbs / 18 kgs

Shipping

additional information:

FMLT-WS15-01

Shipping dimensions:

1 OCL case:
56" l x 19" h x 19" d
1422mm(l) x 483mm(h) x 483mm(d)

Graphic material:
Dye-sublimated power stretch zipper pillowcase fabric

*Backside can be upgraded to print

Approximate shipping weight (with case):
51 lbs / 24 kgs

When included in a larger kit, a different packaging solution will be listed to accommodate all contents of the kit. Individual packaging no longer provided.

FMLT-WS15-F

Shipping dimensions:

1 BOX:
54" l x 11" h x 7" d
1372mm(l) x 280mm(h) x 178mm(d)

Approximate shipping weight:
35 lbs / 16 kg

We are continually improving and modifying our product range and reserve the right to vary the specifications without prior notice. All dimensions and weights quoted are approximate and we accept no responsibility for variance. E&OE. See Graphic Templates for graphic bleed specifications.

Included In Your Kit

Tools, Components, & Connectors



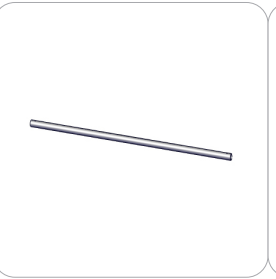
6MM HEX KEY x1



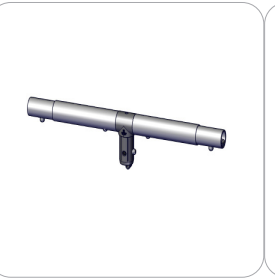
LN114-SCRW x3



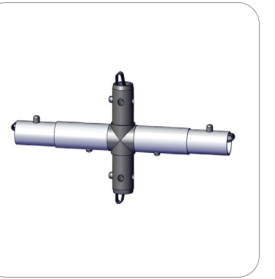
WS10-T1 x8



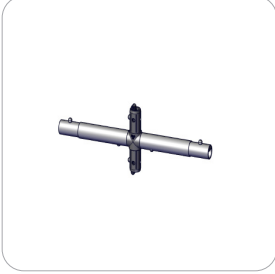
WS10-T2 x6



WS10-T4 x2



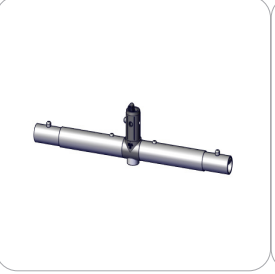
WV20-01-T2 x1



WS10-T5 x2



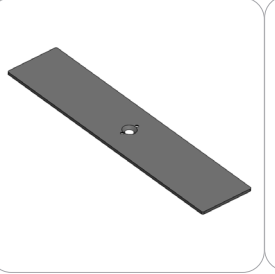
WS10-T6 x2



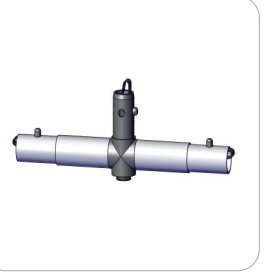
WS10-T7 x2



TC-30-90T x2



PLT-BP-LN114-S2-450 x3



WS-01-T1 x1

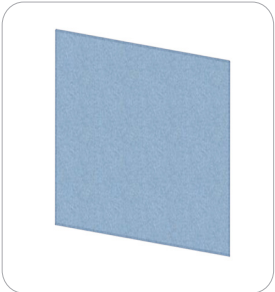


WV20-01-T1-15FT x6



WV20-01-T1 x1

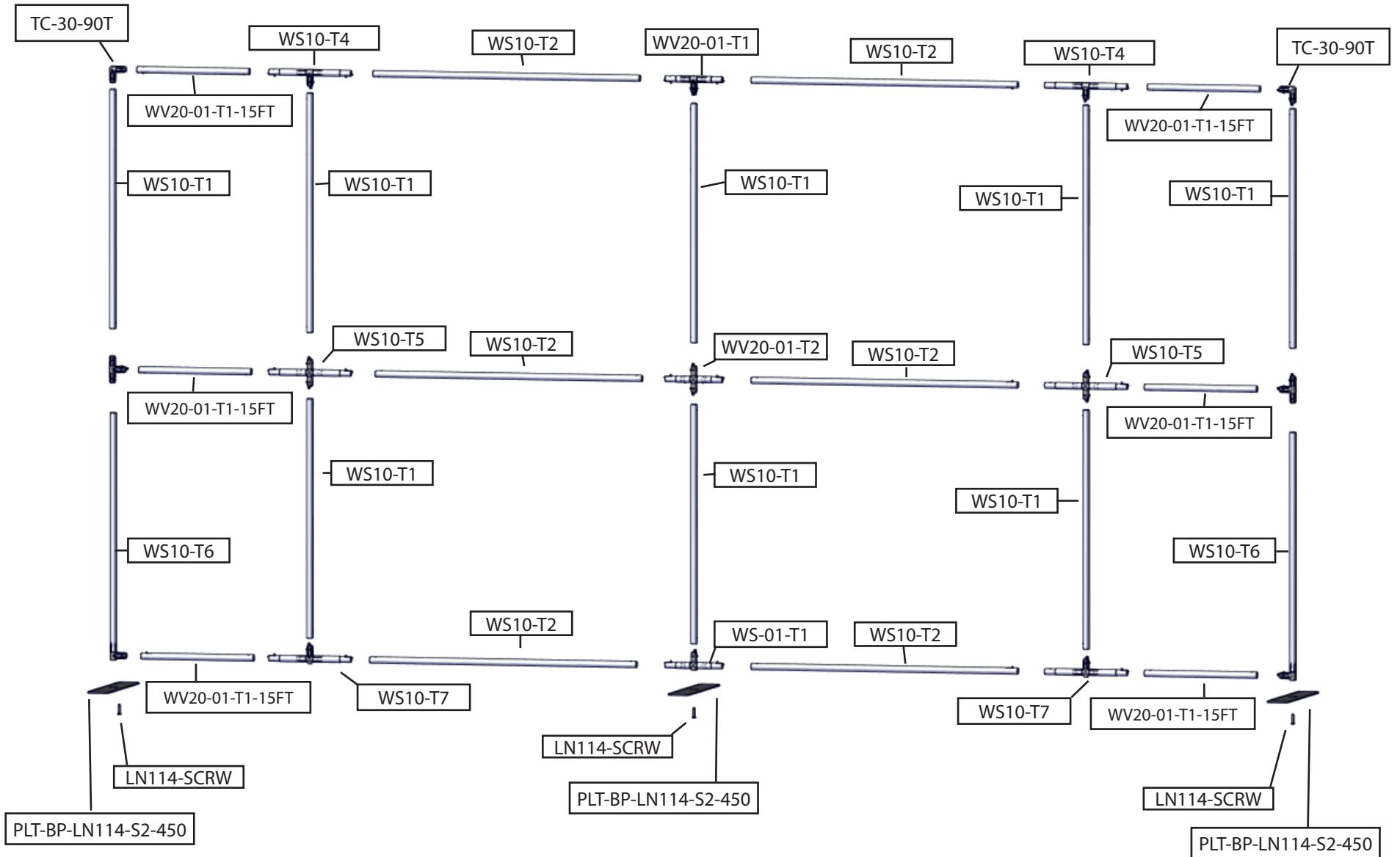
Graphics



FMLT-WS15-G x1

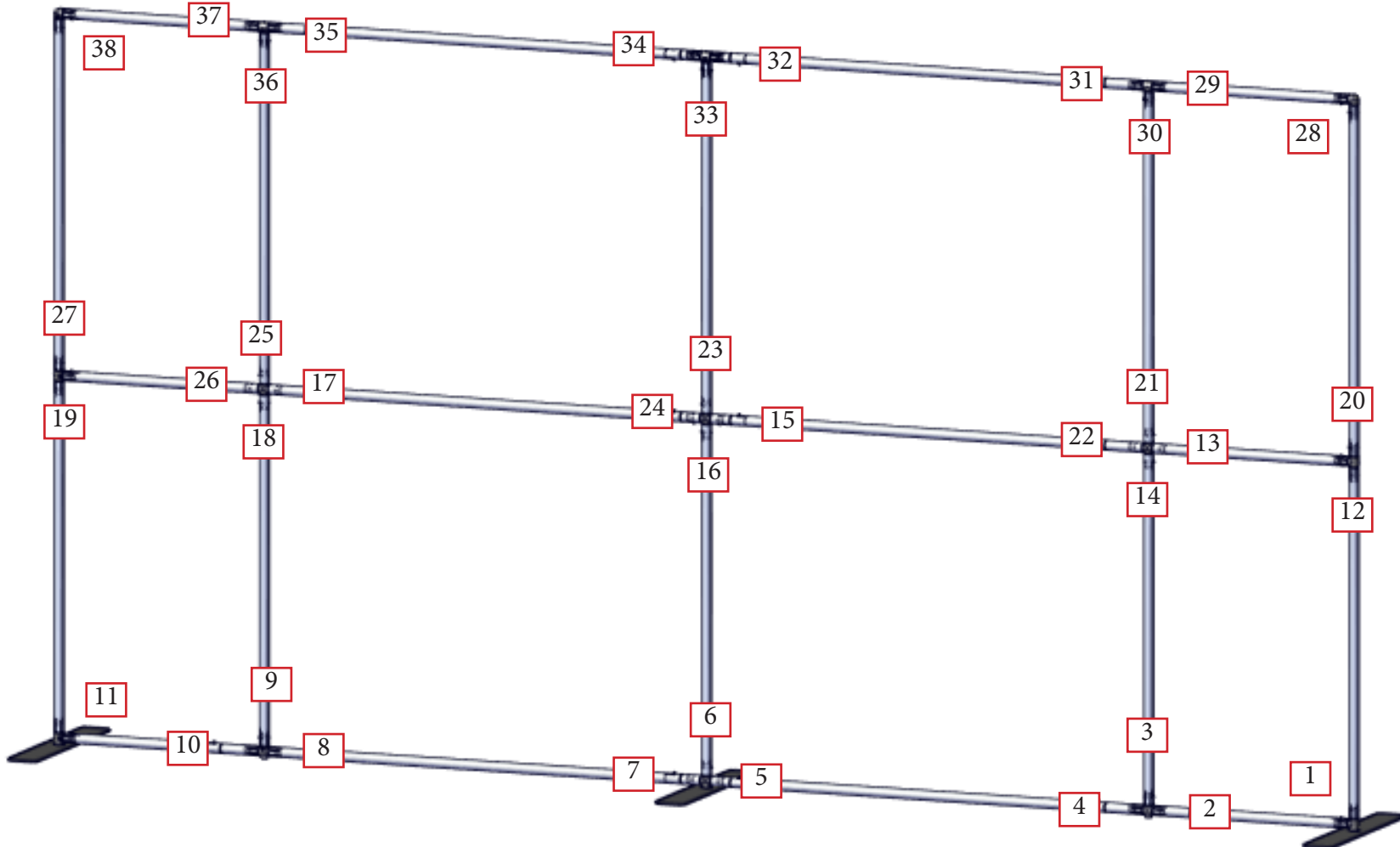
Exploded View

FMLT-WS15-01



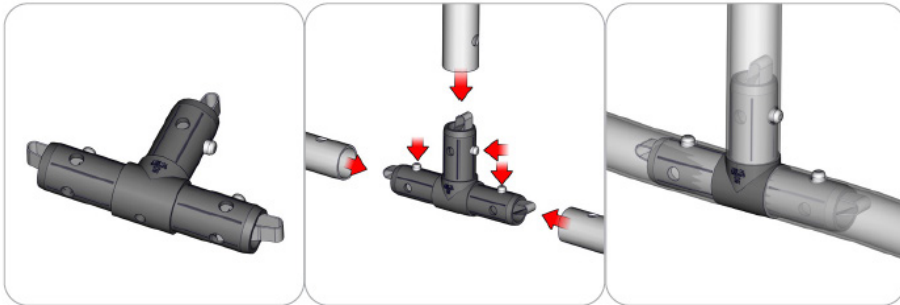
Labeling Diagram

FMLT-WS15-01



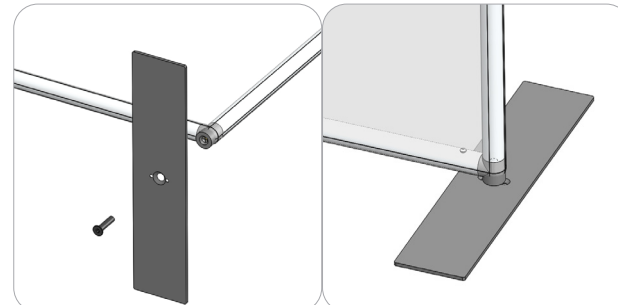
Connection Methods

Connection Method 1: SNAP BUTTONS



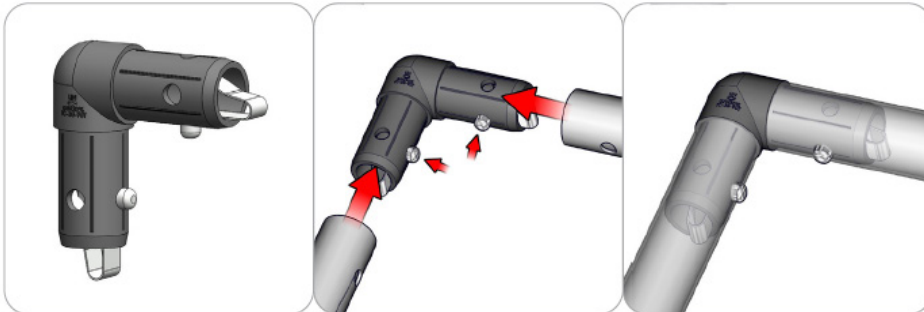
For snap button connections, locate the snap button on the connector or swage tube. Locate the hole on the corresponding tube. Press the snap button with your thumb and slide the tube and connector together so that the snap button snaps fully into the lock hole. To disassemble, press the snap button and pull apart.

Connection Method 2: PLT-BP-LN114-S5-450



Join the frame to the stabilizing bases. Fasten the screw carefully using your allen key tool. Be sure to fasten securely, but do not overtighten.

Connection Method 3: TC-30-90T



Take the plastic connector and make sure the snap buttons are in the proper position for the tube frame holes. Simply press the snap button with your thumb and carefully slide the tube onto the connector. The snap button should pop through. Some twisting may be necessary to assure the snap button has popped all the way through the tube hole. Do not force the connection and be careful with the tube edges, they may be sharp.

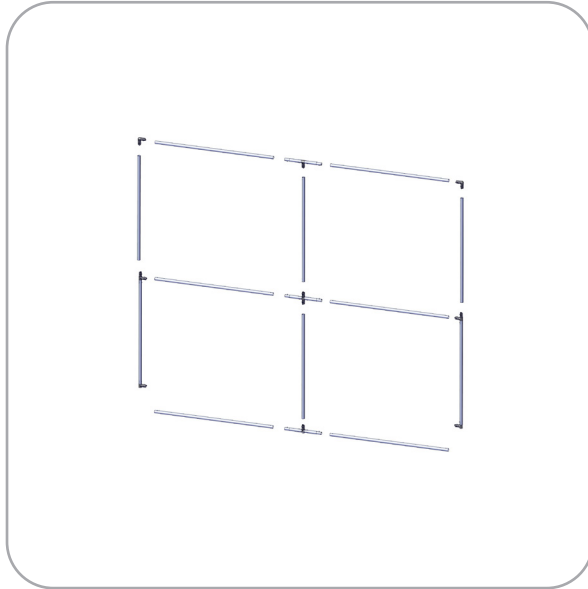
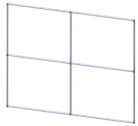
Kit Assembly

Step by Step

Step 1.

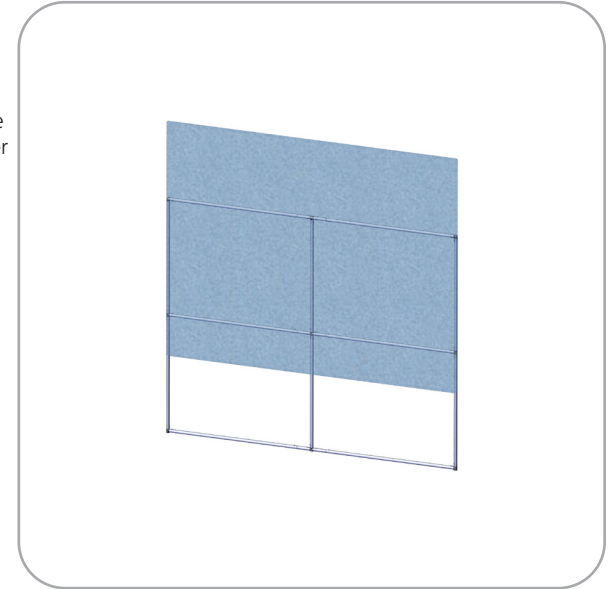
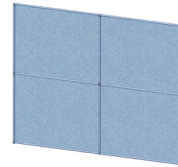
Gather the components necessary for assembling the frame. Assemble in the order the Labeling Diagram instructs.

Please reference Connection Method 2 for more details.



Step 2.

Locate your pillowcase graphic. With the pillowcase unzipped, encase the frame by covering the frame from top to bottom. Zipper at the bottom.



Step 3.

Locate the stabilizing bases and screws; attach them to the bottom of the frame. Use the provided allen key tool to secure and fasten.

Setup Complete.

