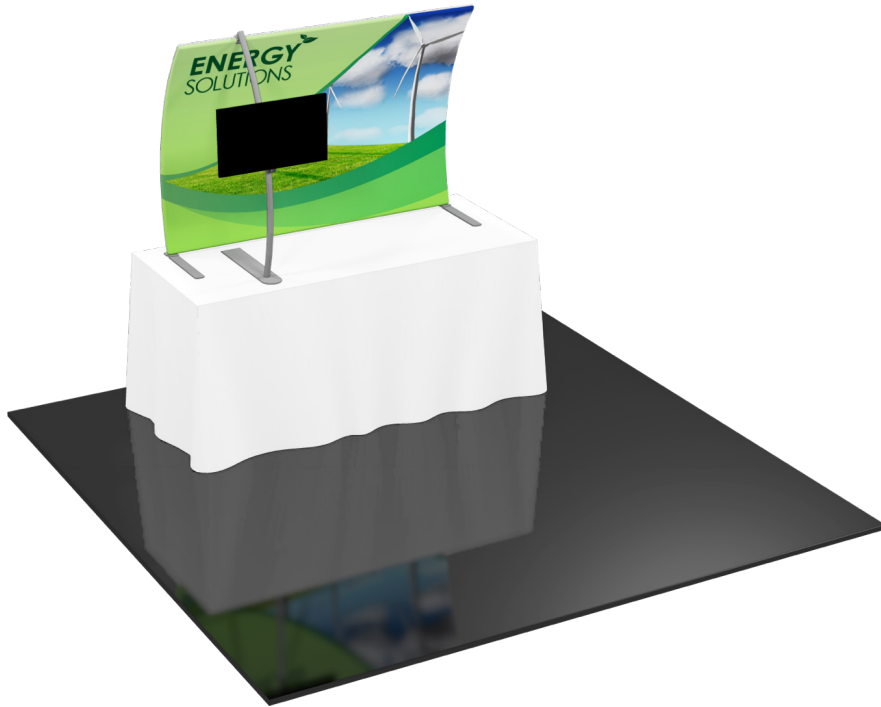


Formulate Tabletop 3

FMLT-WTT-V03

Formulate® is a collection of sophisticated, ergonomically designed exhibit booths. Formulate combines state-of-the-art zipper pillowcase dye-sublimated fabric coverings with advanced lightweight aluminum structures to provide unique design, functionality, and style. The excellence of the Formulate line of displays, hanging structures and products is simply unmatched. Stretch fabric graphics are hand-sewn, durable and dry-cleanable.



features and benefits:

- State-of-the-art 30mm aluminum tube frame with snap button assembly
- Fits on a 6ft wide table
- Easy to store and ship
- Quick to assemble
- Kit includes: one frame, one dye-sublimated pillowcase zipper graphic, stand-off monitor mount, and one wheeled molded storage case
- Stand-off monitor mount is repositionable
- Lifetime hardware warranty against manufacturer defects

dimensions:

Hardware

Graphic

Assembled unit:
61.97" w x 45.5" h x 25.19" d
1574mm(w) x 1156mm(h) x 640mm(d)

Refer to related graphic template for more information.

Approximate weight (includes graphic):
16 lbs / 8 kgs

Visit:
www.exhibitors-handbook.com/graphic-templates

Shipping

additional information:

Packing case(s):
1 OCS

Graphic material:
Dye-sublimated zipper pillowcase fabric

Shipping dimensions:
45" l x 19" h x 19" d
1143mm(l) 483mm(h) x 483mm(d)

Monitor mount max weight:
21 lbs / 10 kgs

Approximate shipping weight (with case):
35 lbs / 16 kgs

*Monitor not included

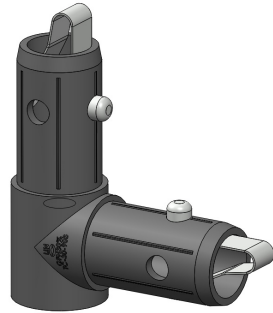
We are continually improving and modifying our product range and reserve the right to vary the specifications without prior notice. All dimensions and weights quoted are approximate and we accept no responsibility for variance. E&OE. See Graphic Templates for graphic bleed specifications.

Included In Your Kit

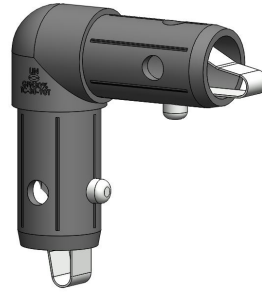
Tools, Components, & Connectors



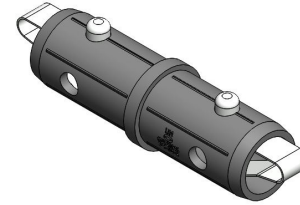
6MM HEX KEY x1



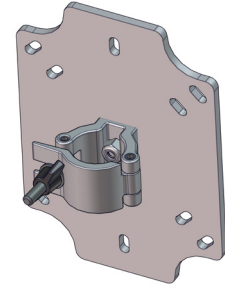
TC-30-90B x2



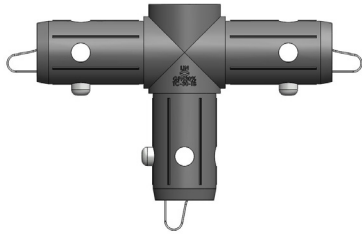
TC-30-90 x2



TC-30-S x3



PLT-WP-PM4S-ACC60-ASY-1 x1



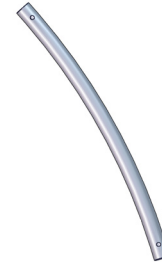
TC-30-T x2



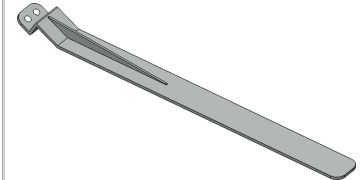
WTT-V03-T5 x1



WTT-V03-T6 x1



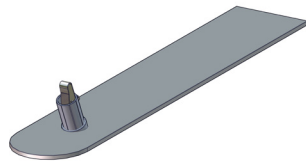
WTT-V01-T2 x6



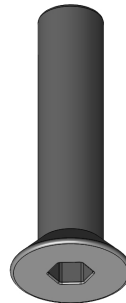
PLT-BP-WVC-TT2 x2



WTT-V01-T1 x4

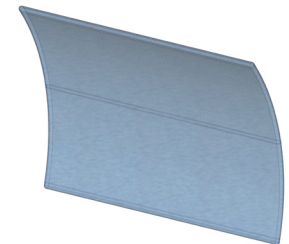


WTT-V03-T4 x1



LN-114-SCRW x2

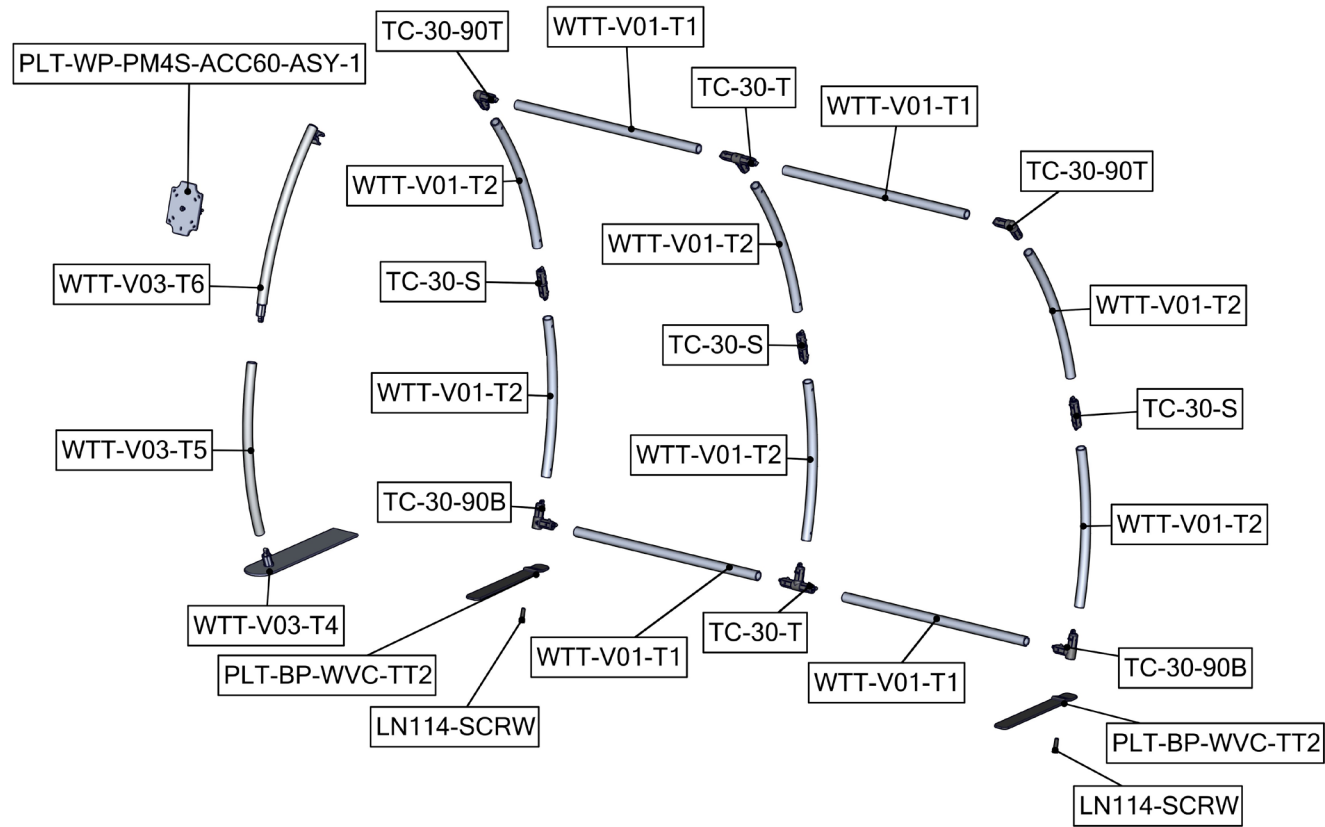
Graphics



WTT-V03-G x1

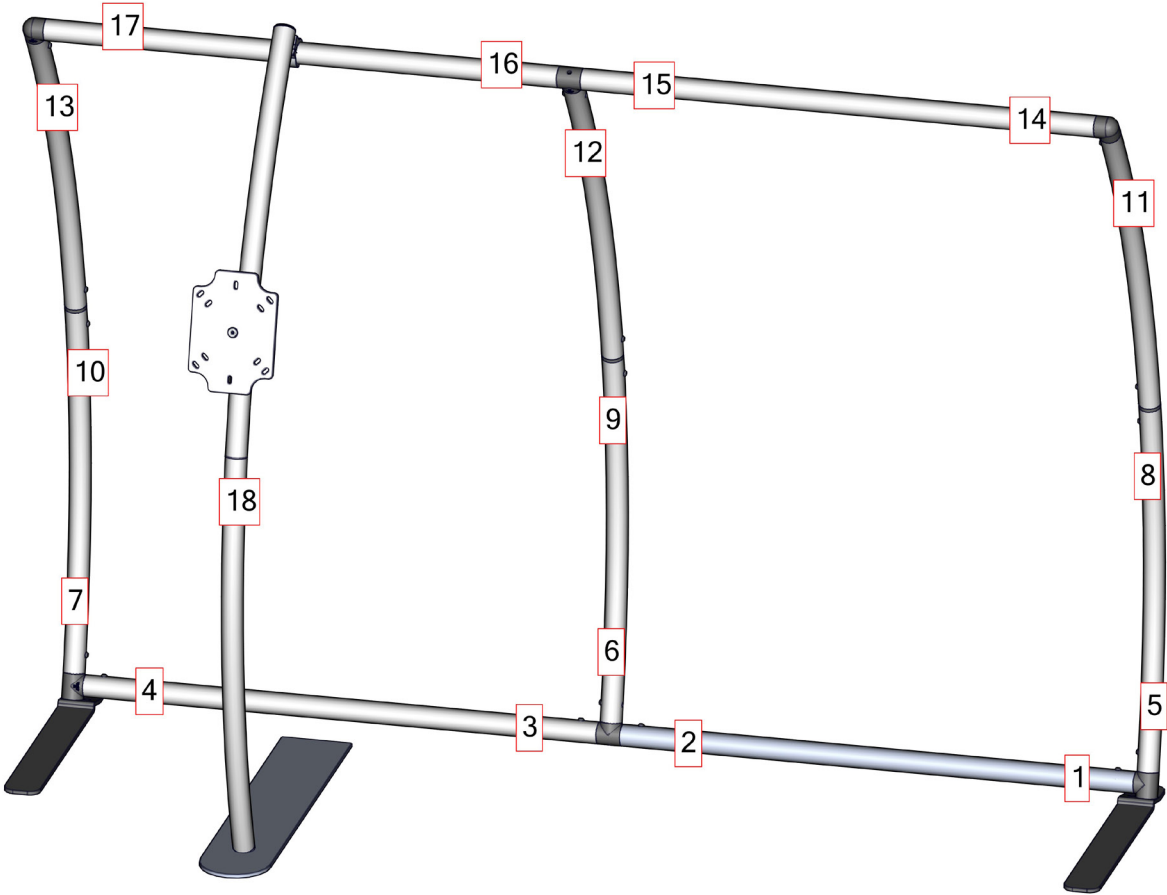
Exploded View

FMLT-WTT-V03



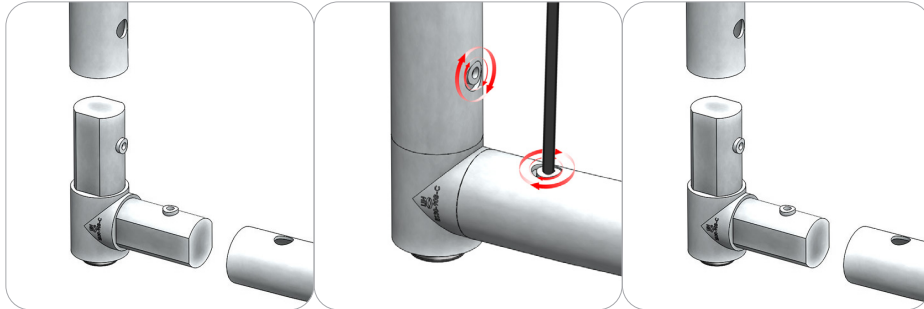
Labeling Diagram

FMLT-WTT-V03



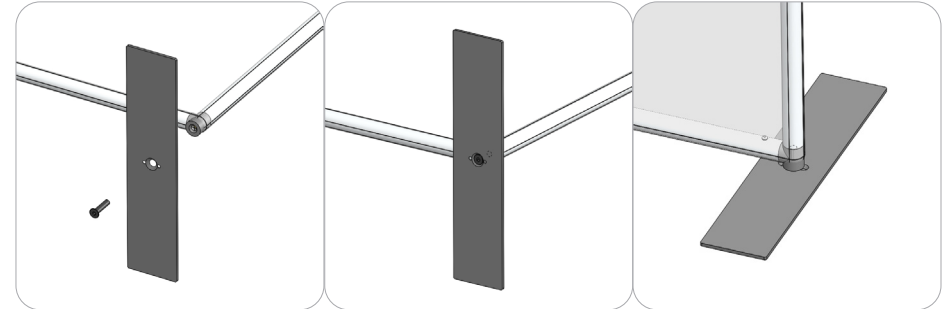
Connection Methods

Connection Method 1: TC-30-90B



Compress one unlocked end of the connector and slide it through one tube end. Compress the other end of the connector and slide the second tube on. Lock both screws carefully using your allen key tool. Be sure to lock securely, but do not over tighten.

Connection Method 2: PLT-BP-LN114-S2-450



First, Align the screw hole on the foot with the hole on the frame. Second, slide the screw into the holes and tighten it with the allen key. Do not over tighten.

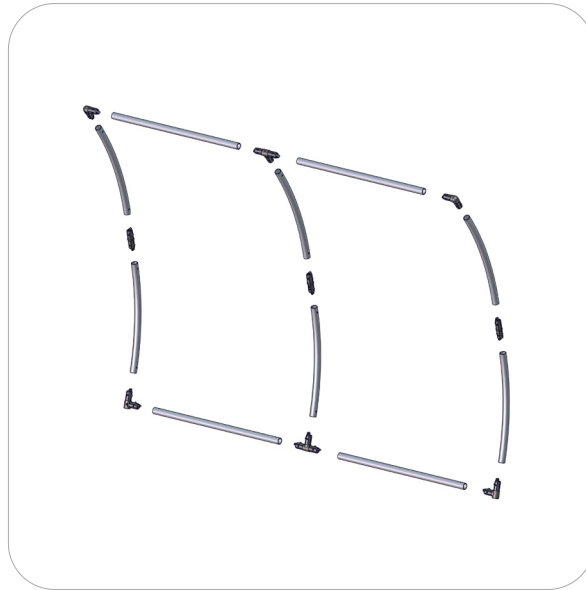
Kit Assembly

Step by Step

Step 1.

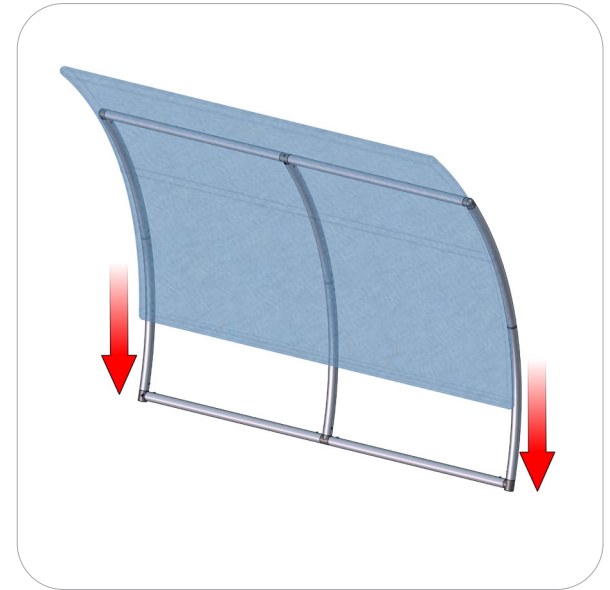
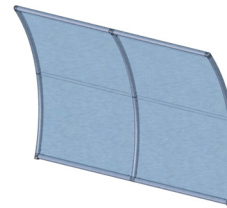
Gather the components to build the frame. Use the Exploded View and the Labeling Diagram for part labels.

Reference Connection Method 1 for more details.



Step 2.

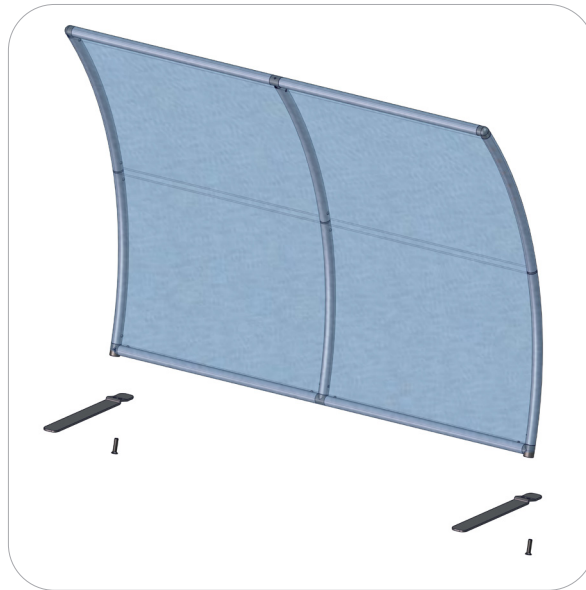
Slide the graphic over the top end of the frame and zip the fabric close on the bottom of the frame.



Step 3.

Once the frame is connected, attach the feet. Secure feet to the bottom of the frame by tightening the screws.

Reference Connection Method 2 for more details.



Step 4.

Secure the monitor support to the backwall and attach the monitor holder to the support by closing the bracket over the frame and tightening the screw.

Setup is complete

