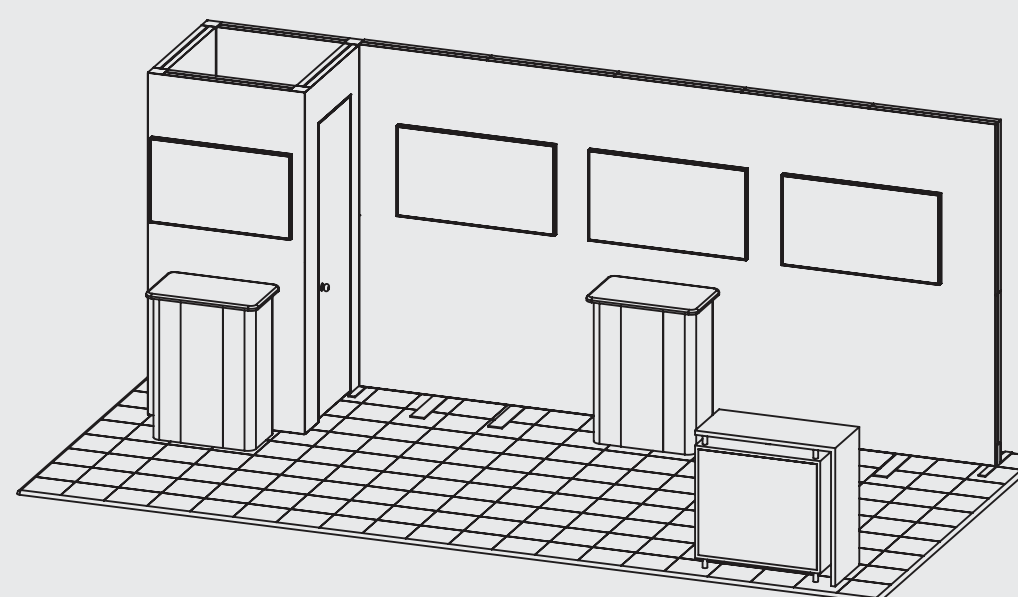


# Hybrid Pro Rental Kit: Hybrid Pro Modular Kit 25

---



## TEMPLATE @ 1/2 SIZE

Dye Sub Graphic Panels A and B

Total Graphic Area: 47.6875" w x 98.375" h

Finished Graphic Area: 43.6875" w x 94.375" h

Dye Sub Graphic Panel C (door perimeter panel)

Total Graphic Area: 47.4375" w x 98.375" h

Finished Graphic Area: 43.4375" w x 94.375" h

Dye Sub Graphic Panel D (door panel)

Total Graphic Area: 27" w x 85.375" h

Finished Graphic Area: 23" w x 81.375" h

Dye Sub Graphic Panel E

Total Graphic Area: 181" w x 98.375" h

Finished Graphic Area: 177" w x 94.375" h

Please be sure to include a 2" bleed around the perimeter of the center graphic.

Please consider obstructions and spaces created by the extrusions when designing your graphics.

## General Art Guidelines:

---

- CMYK Color Mode
- All Solid Coated Pantone colors should be called out in the art as spot colors
- Embed all images and support files
- Resolution must be 200-240 ppi @ 1/2 size, 100-120 ppi @ full size
- All fonts must be created to outlines
- Do not scale artboard
- Background color/images must bleed to the edge of artboard
- Do not use spot colors from template in your artwork as they will not print

PANEL A

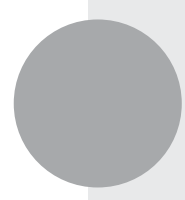
**REPRESENTS  
OBSTRUCTION ONLY**

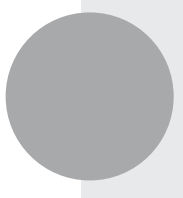
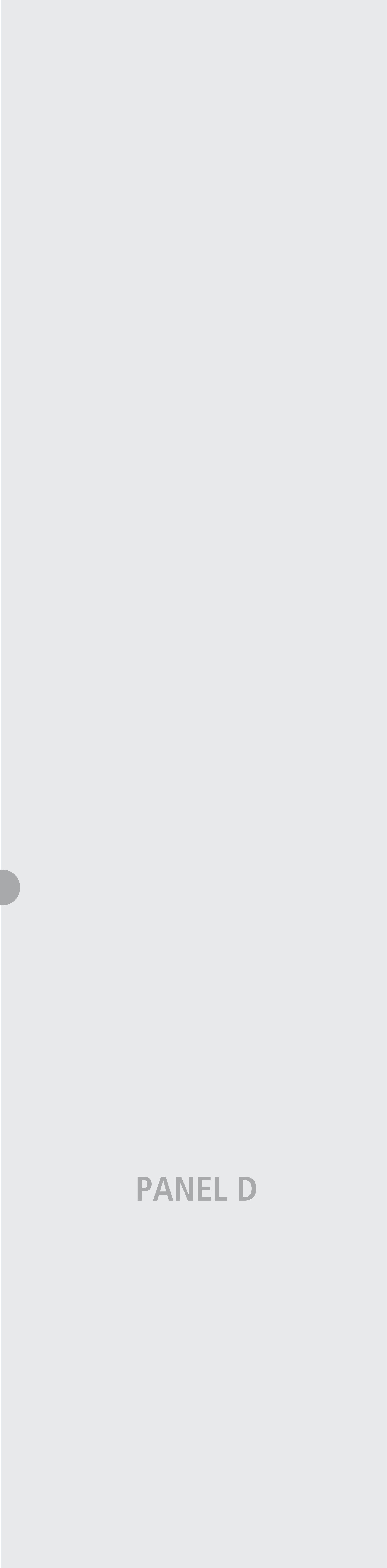
PANEL B

PANEL C

PANEL D

**PANEL E WILL OBSTRUCT 4" OF PANEL C**





PANEL D

REPRESENTS  
OBSTRUCTION ONLY

REPRESENTS  
OBSTRUCTION ONLY

REPRESENTS  
OBSTRUCTION ONLY

PANEL E

bleed area  
trim line  
safe zone

## Hybrid Counter: Counter 08

---

Back Graphic  
Total graphic area: 77.125" w X 43.25" h  
Total finished area: 73.125" w X 39.25" h

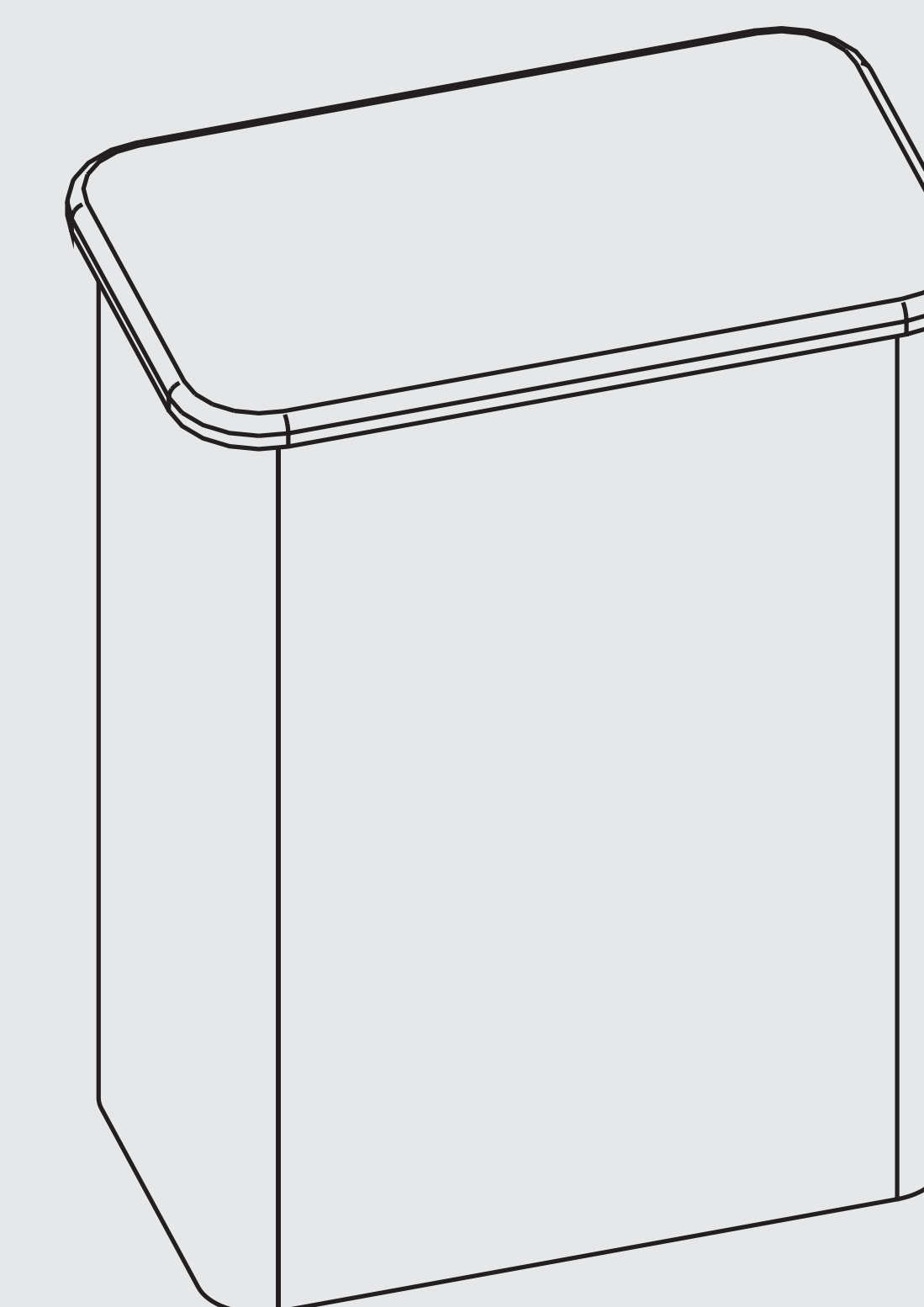
Front Door Graphic  
Total graphic area: 15.35" w X 43.25" h  
Total finished area: 11.35" w X 39.25" h

Please be sure to include the 2" bleed around the perimeter of the graphic. Do not design any critical elements (text, logos, etc.) within 1" of the edge (see innermost dotted line). Recommended front and side visual areas are indicated by gray boxes. Please note that we cannot guarantee the alignment of the front panel to the back panel due to the finishing.

### General Art Guidelines:

---

- CMYK Color Mode
- All Solid Coated Pantone colors should be called out in the art as spot colors
- Embed all images and support files
- Resolution must be 100-120 ppi
- All fonts must be created to outlines
- Do not scale artboard
- Background color/images must bleed to the edge of artboard
- Do not use spot colors from template in your artwork as they will not print





## Hybrid Counter: Counter 08

---

Back Graphic  
Total graphic area: 77.125" w X 43.25" h  
Total finished area: 73.125" w X 39.25" h

Front Door Graphic  
Total graphic area: 15.35" w X 43.25" h  
Total finished area: 11.35" w X 39.25" h

Please be sure to include the 2" bleed around the perimeter of the graphic. Do not design any critical elements (text, logos, etc.) within 1" of the edge (see innermost dotted line). Recommended front and side visual areas are indicated by gray boxes. Please note that we cannot guarantee the alignment of the front panel to the back panel due to the finishing.

### General Art Guidelines:

---

- CMYK Color Mode
- All Solid Coated Pantone colors should be called out in the art as spot colors
- Embed all images and support files
- Resolution must be 100-120 ppi
- All fonts must be created to outlines
- Do not scale artboard
- Background color/images must bleed to the edge of artboard
- Do not use spot colors from template in your artwork as they will not print

