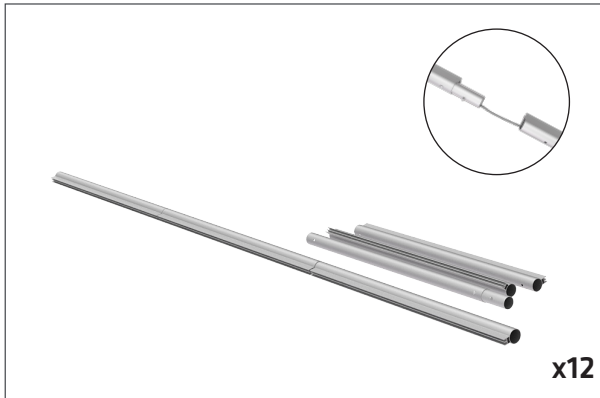


Set Up Instructions

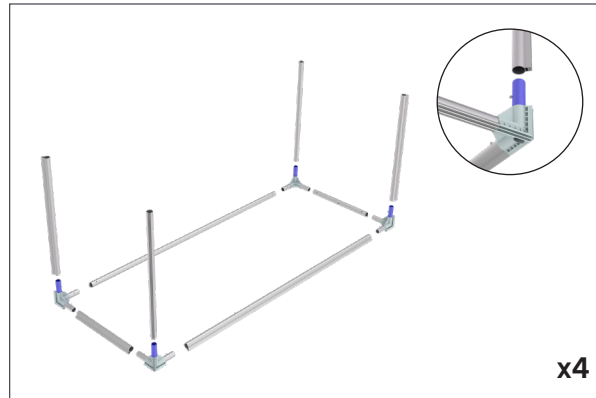
CSNRB-200M

Step 1: Assemble all straight pipes with bungee cords by pushing and pulling together.



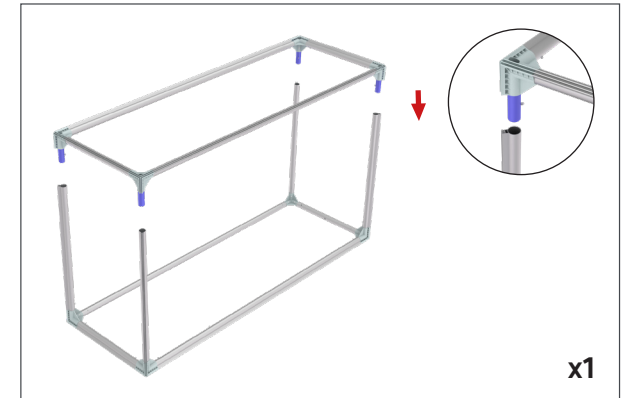
Step 2: Build the bottom first.

Connect all corner sections to straight sections of the frame. Blue pipes represent the vertical pole position and should face up.

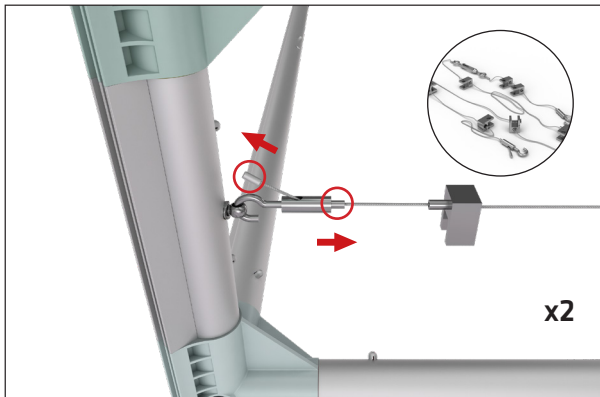


Step 3: Build the top next.

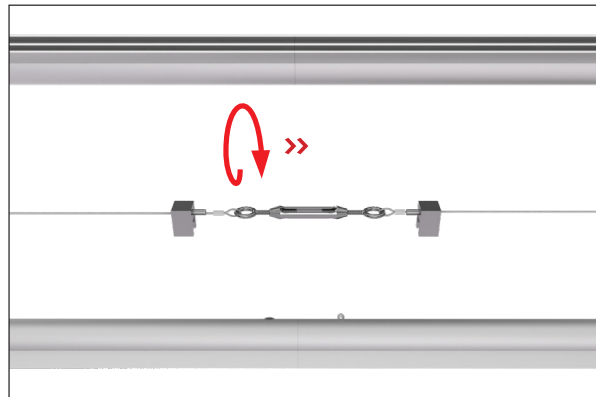
Connect all corner sections to straight sections of the frame. Blue pipes represent the vertical pole position and should face down. Connect top and bottom frames together.



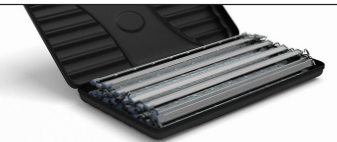
Step 4: At the top of the frame attach cable to left and right side. Tighten or loosen with hand pull.



Step 5: Move to the center of cable and hand tighten remaining turn buckle to remove any remaining slack. Do not over tighten.



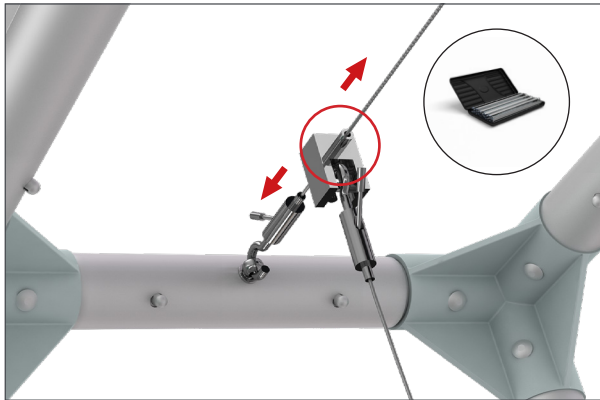
LED Light Arrays



Set Up Instructions

CSNRB-200M

Step 6: Take out the LED Light Arrays and add to cable with power connector on top. The cable blocks can be adjusted by pushing the **pin into the block** and sliding the block into desired position.



Repeat until all Light Arrays are attached. LED Light Arrays do not attach to bottom of frame, but hang under their own weight in final upright position.

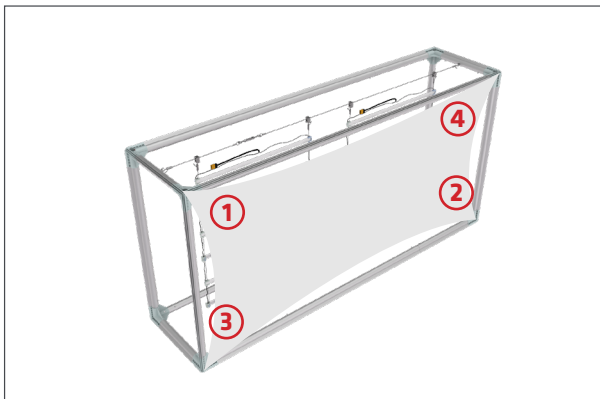


Step 7: Completed frame with LED Light Arrays attached to cable harness.

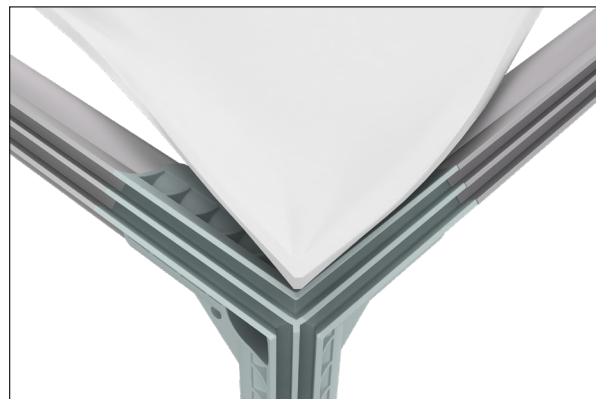


Use drop cloth on ground to prevent graphics from getting dirty!

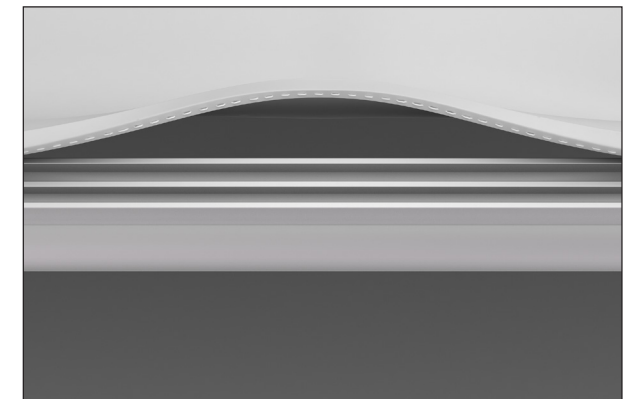
Graphic Diagram



Step 8: Fold silicone edge graphics over an install into first corner of frame working outwards 4-6 inches. Repeat on remaining corners starting with the opposite corner. Follow the Graphic Diagram.



Step 9: Move to the center of each side of the frame to continue inserting the silicone edge graphics and work back toward the corners.



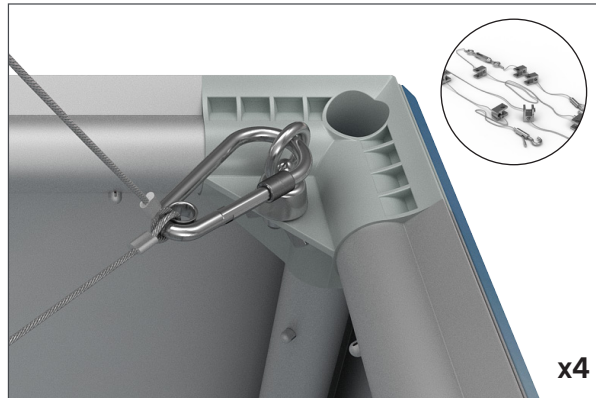
Set Up Instructions

CSNRB-200M

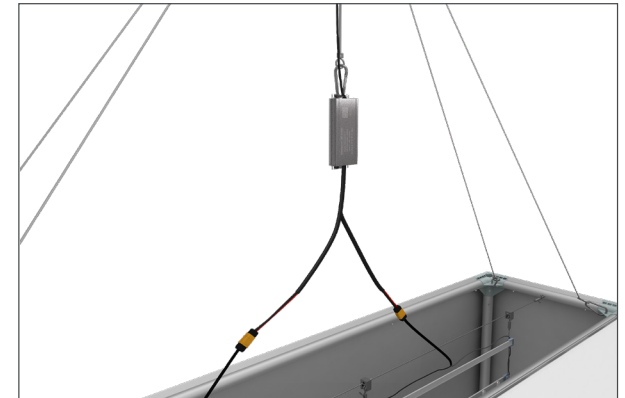
Step 10: Repeat Steps 8-9 on all 4 sides. Leave installation of bottom graphic until after the display has been wired with harness and lifted overhead into a position where it can be installed from the ground.



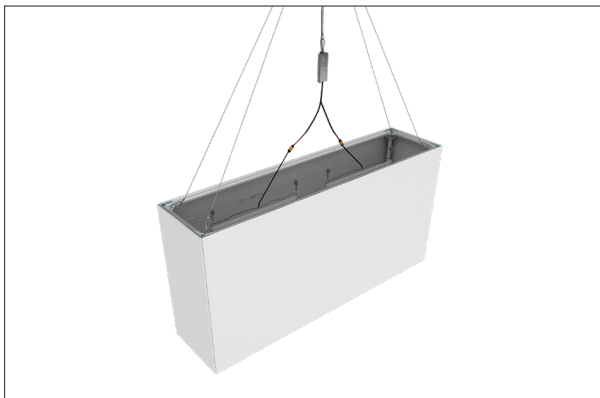
Step 11: At the top of the frame insert eyebolts in all 4 corners and add a carabiner to each one. Attach one cable to the carabiners in opposite corners. Complete task twice to form an X.



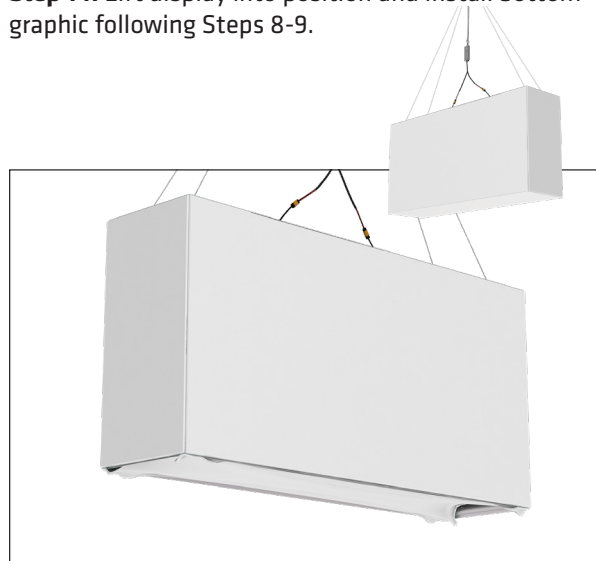
Step 12: Plug power supply to the top of LED Light Array using 2 plugs into 1 Y-Adapter.



Step 143: Test lights if possible to make sure display has been wired properly.



Step 14: Lift display into position and install bottom graphic following Steps 8-9.



CAUTION!

Do not connect lights to power when lights are rolled up. Hang lights on frame before connecting to power for testing.

