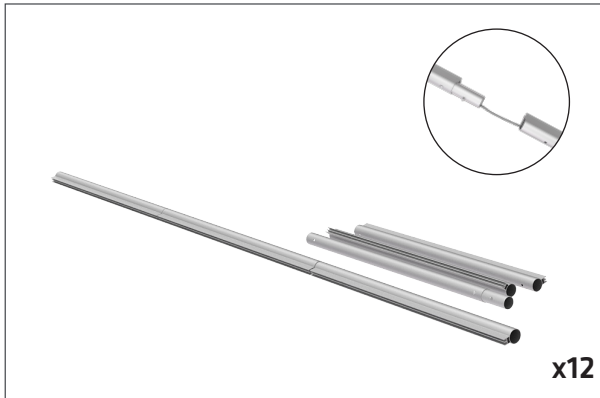


Set Up Instructions

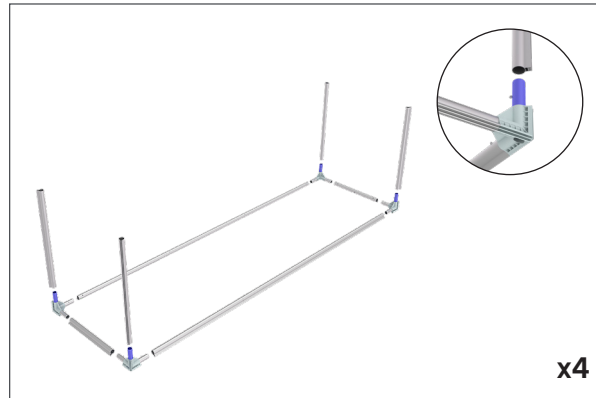
CSNRB-300M

Step 1: Assemble all straight pipes with bungee cords by pushing and pulling together.



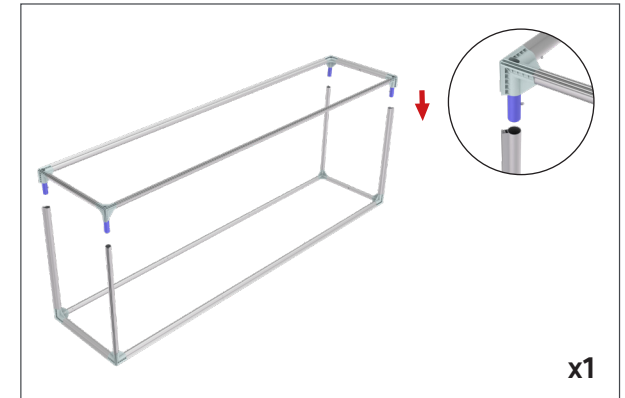
Step 2: Build the bottom first.

Connect all corner sections to straight sections of the frame. Blue pipes represent the vertical pole position and should face up.

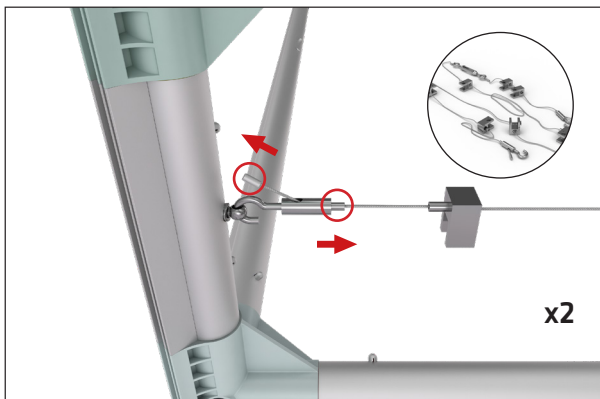


Step 3: Build the top next.

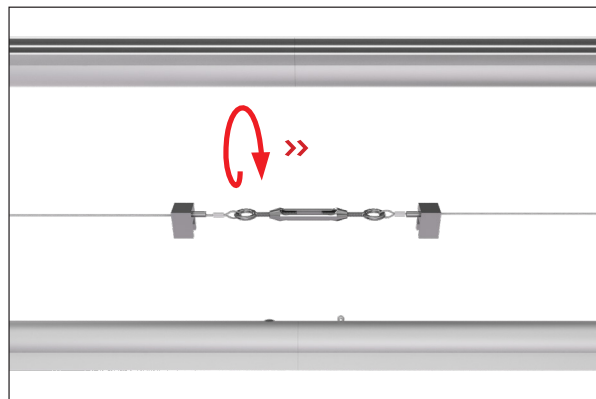
Connect all corner sections to straight sections of the frame. Blue pipes represent the vertical pole position and should face down. Connect top and bottom frames together.



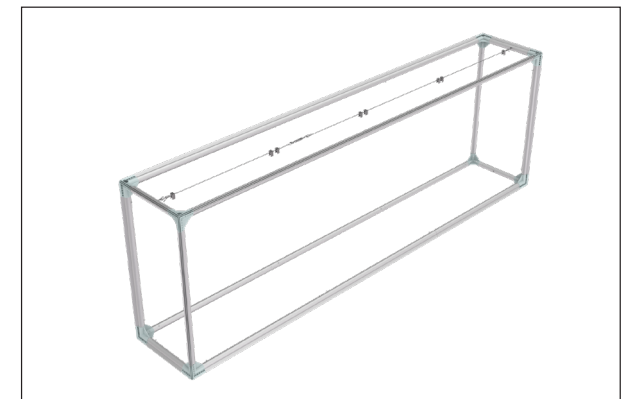
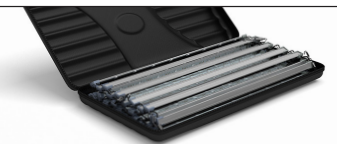
Step 4: At the top of the frame attach cable to left and right side. Tighten or loosen with hand pull.



Step 5: Move to the center of cable and hand tighten remaining turn buckle to remove any remaining slack. Do not over tighten.



LED Light Arrays



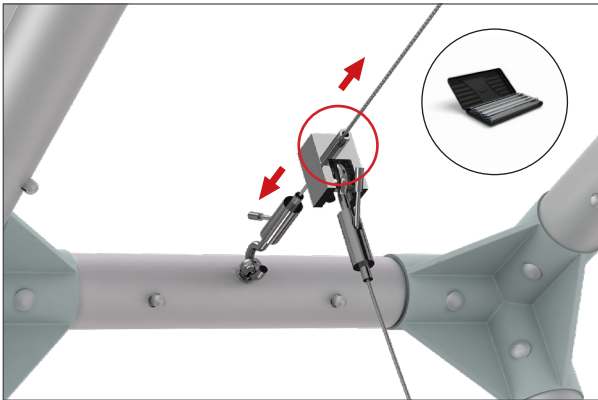
Set Up Instructions

CSNRB-300M

Step 6: Take out the LED Light Arrays and add to cable with power connector on top. The cable blocks can be adjusted by pushing the **pin into the block** and sliding the block into desired position.

Repeat until all Light Arrays are attached. LED Light Arrays do not attach to bottom of frame, but hang under their own weight in final upright position.

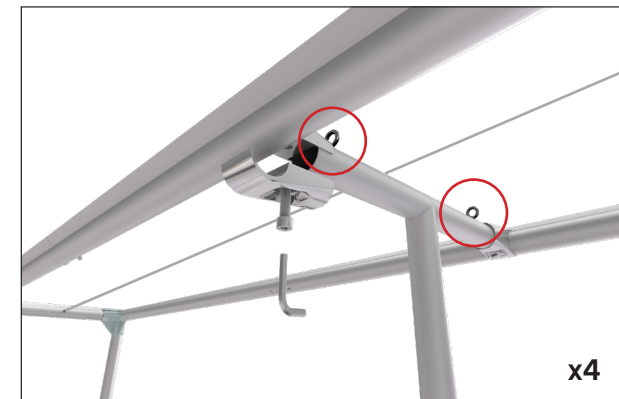
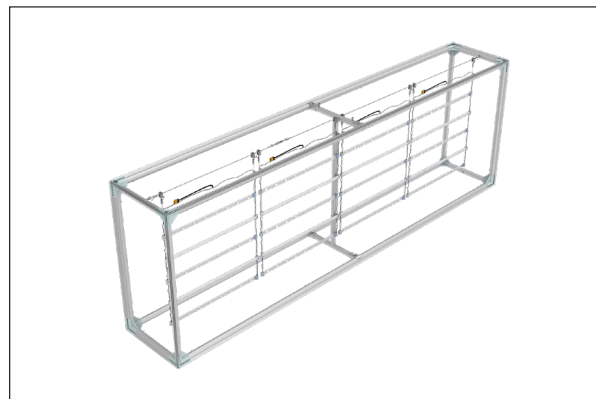
Step 7: Completed frame with LED Light Arrays attached to cable harness.



Step 8: Assemble center support brace by pushing and pulling together.

Step 9: Place center support brace into center of display frame.

Step 10: Attach c-clamps to frame on top and bottom use hex tool. **Place eyelets on top of frame** for use with wiring harness.

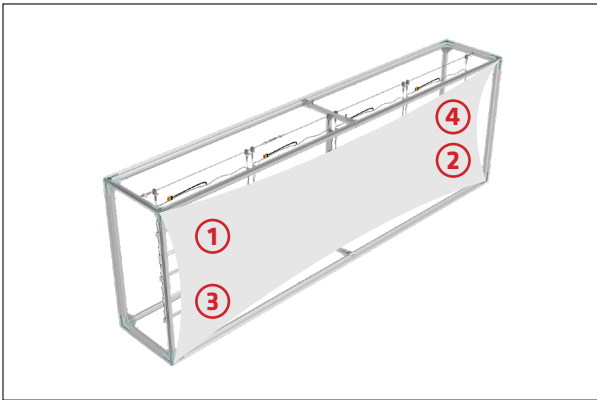


Set Up Instructions

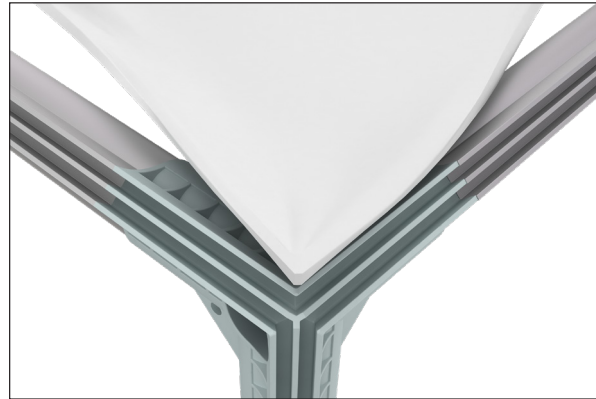
CSNRB-300M

Use drop cloth on ground to prevent graphics from getting dirty!

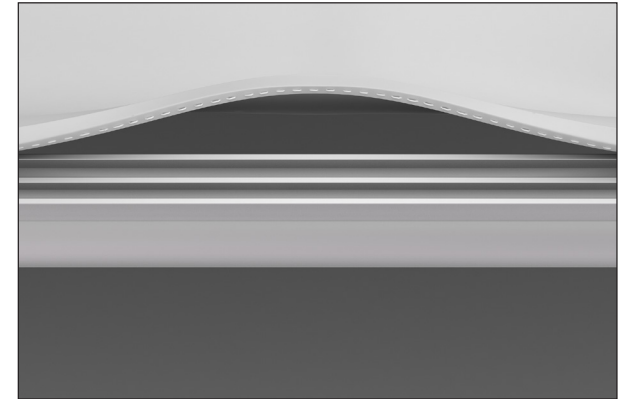
Graphic Diagram



Step 11: Fold silicone edge graphics over and install into first corner of frame working outwards 4-6 inches. Repeat on remaining corners starting with the opposite corner. Follow the Graphic Diagram.



Step 12: Move to the center of each side of the frame to continue inserting the silicone edge graphics and work back toward the corners.



Step 13: Repeat Steps 11-12 on all 4 sides. Leave installation of bottom graphic until after the display has been wired with harness and lifted overhead into a position where it can be installed from the ground.

Step 14: At the top of the frame insert eyebolts in all 4 corners and add a carabiner to each one. Attach one cable to the carabiners in opposite corners. Complete task twice to form an X.

Step 15: Attach wiring harness with carabiners to the top 2 eyelets of center brace.

