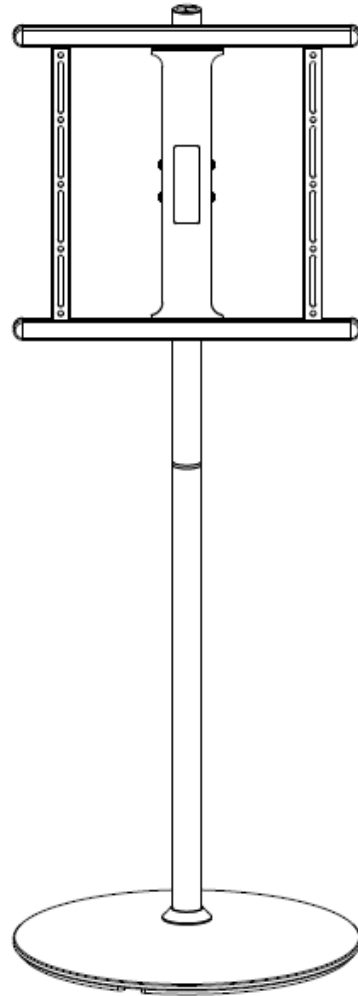
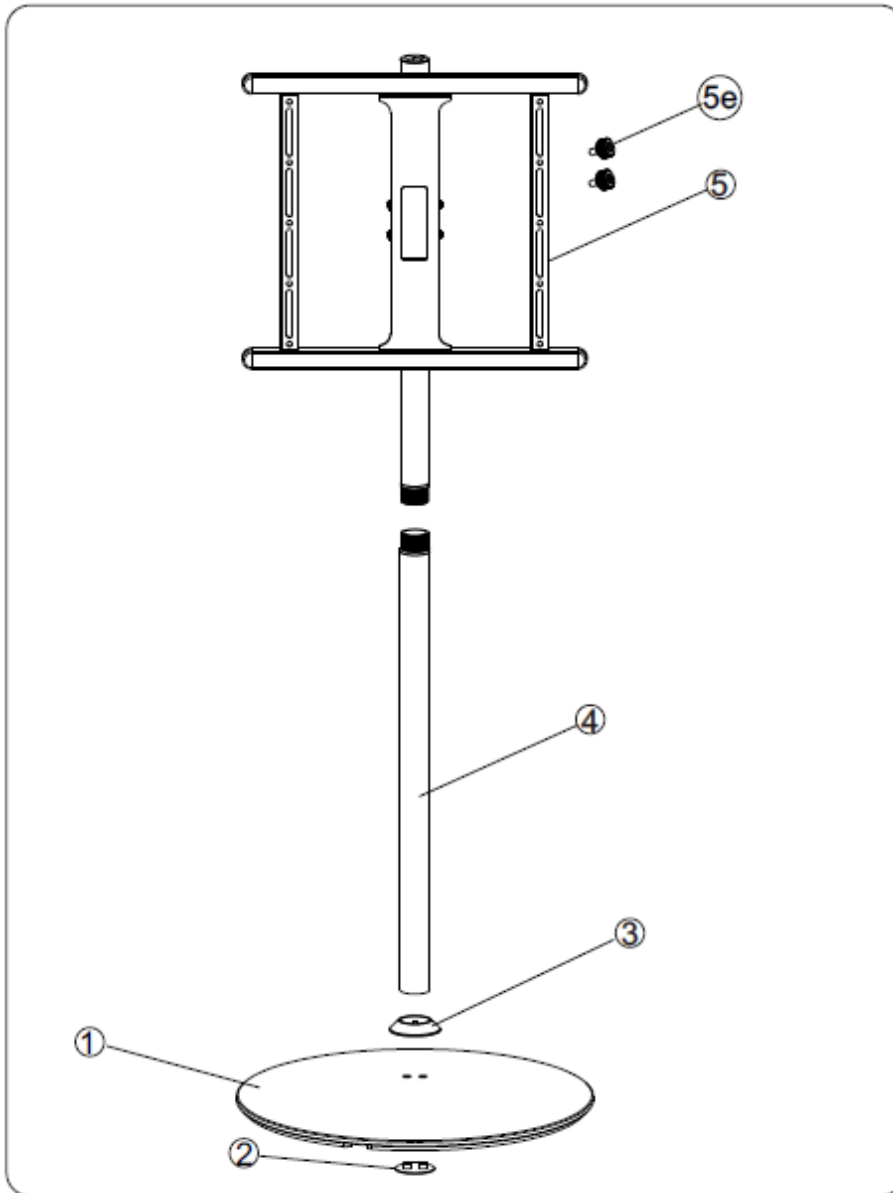
















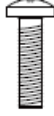









Round Base Monitor Stand



Parts for Assembly

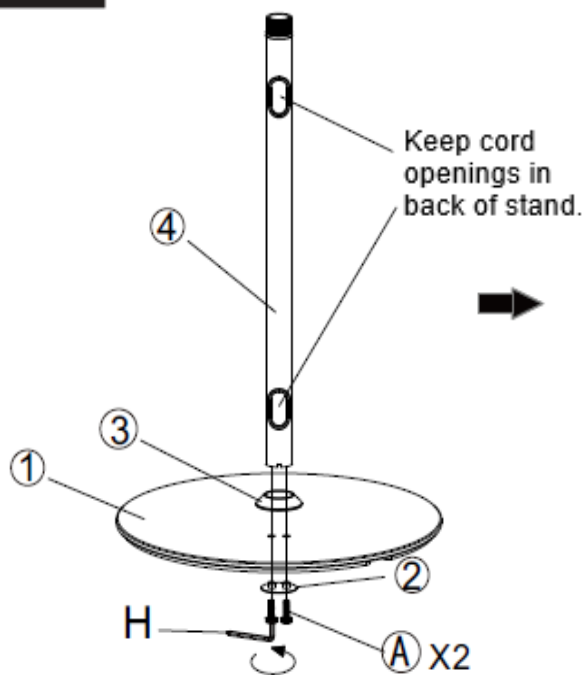
60"/88 lbs. Max Monitor Size



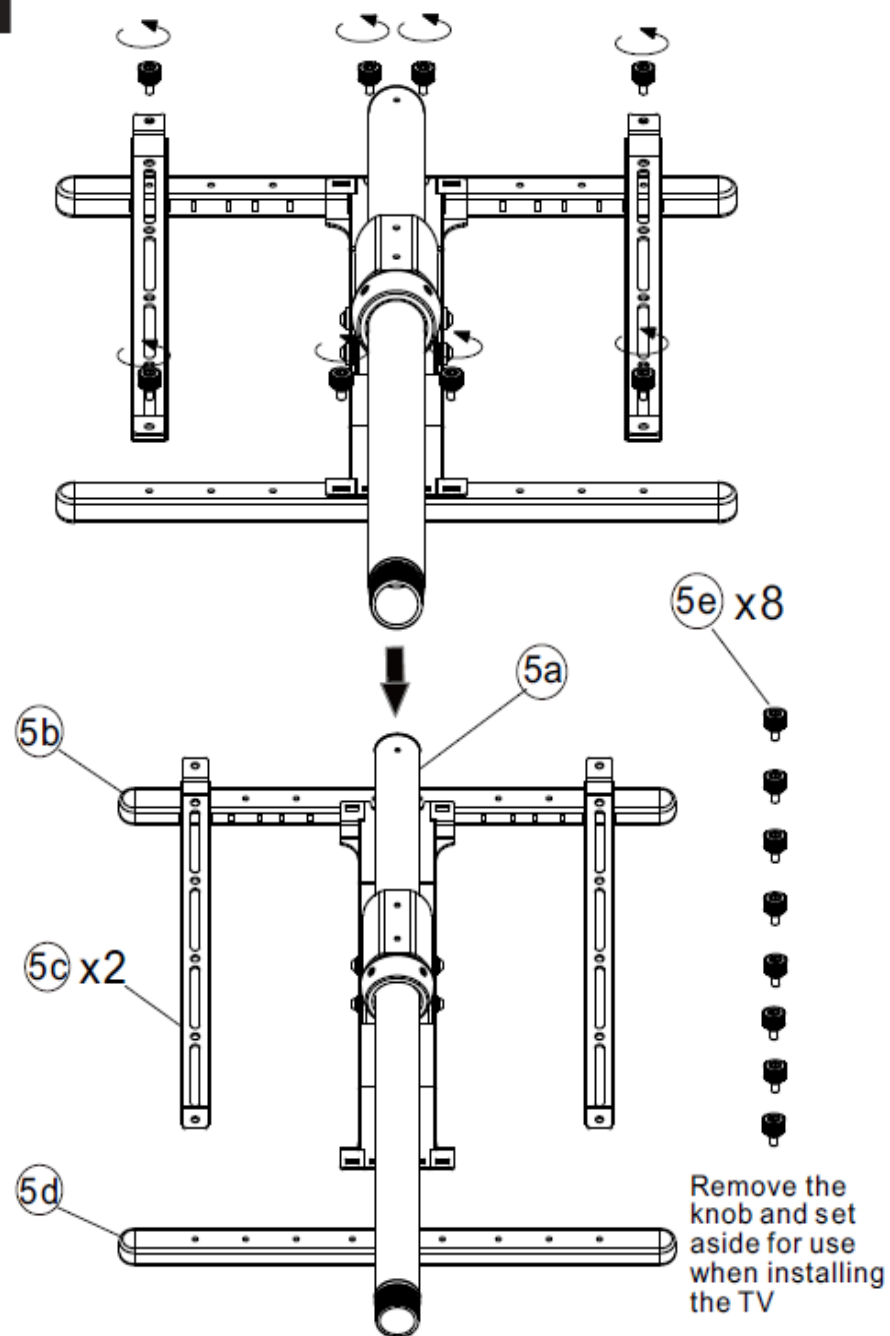
A x2 	B x1 	C x1 	D x2 
E x1  ST4.8x38	F x1  M5x10	G x1  4mm	H x1  5mm
M-A x4   M5x14	M-B x4   M6x14	M-C x4   M6x30	M-D x4   M8x30
M-E x4   M8x50	M-F x4  	M-G x8   5mm	M-H x8   15mm

*Note: included are wall mount parts not needed for assembly

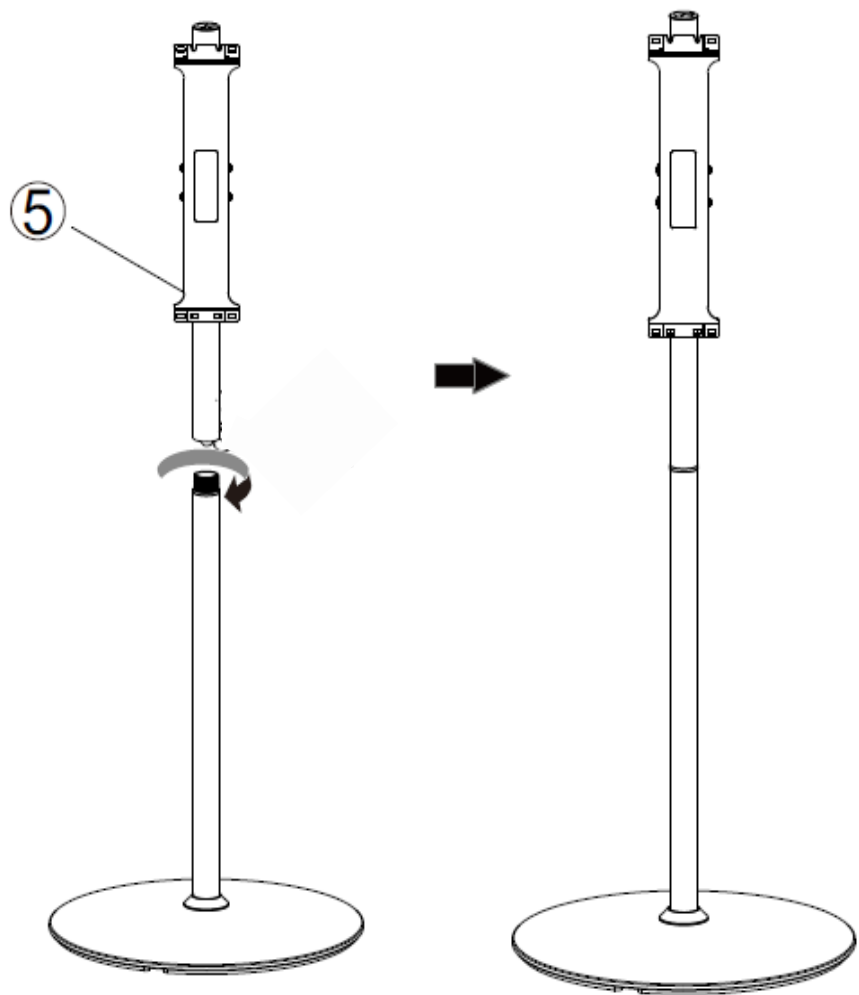
1



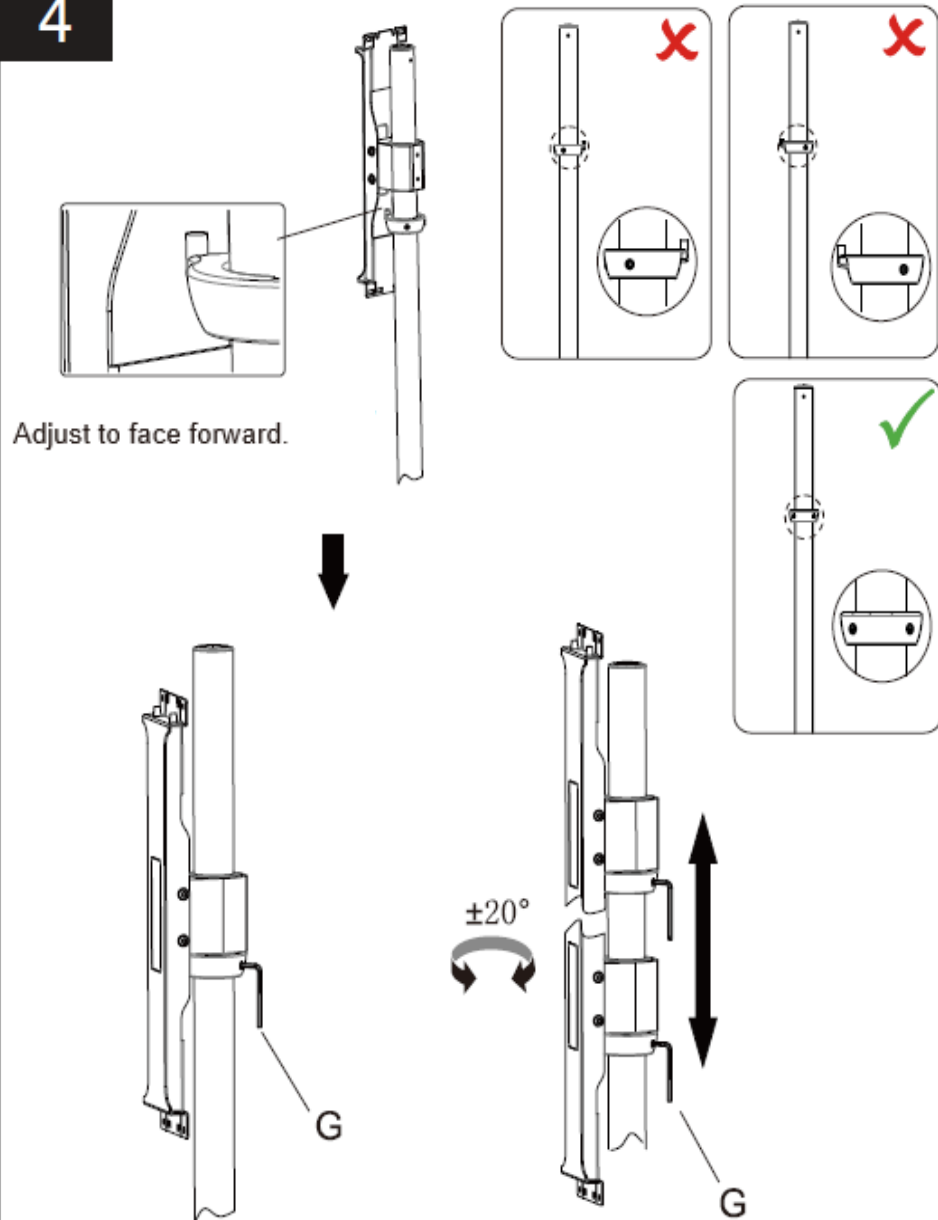
2



3



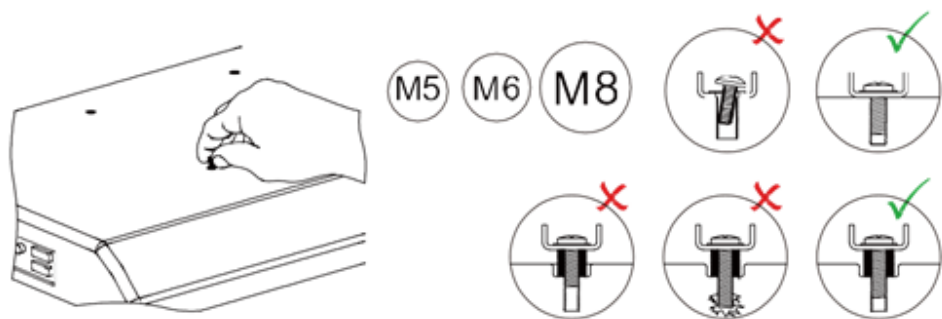
4



Adjust to face forward.

Make sure the TV bracket locks in and is full assembled, adjust to proper height using G wrench.

5 How to choose mounting screws for your TV

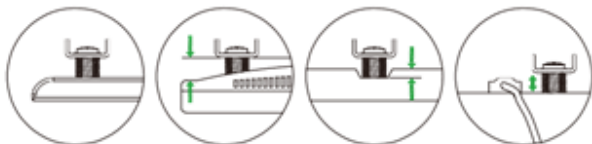
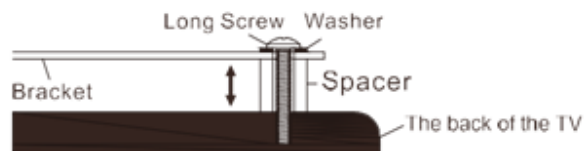


Choose the suitable length screws

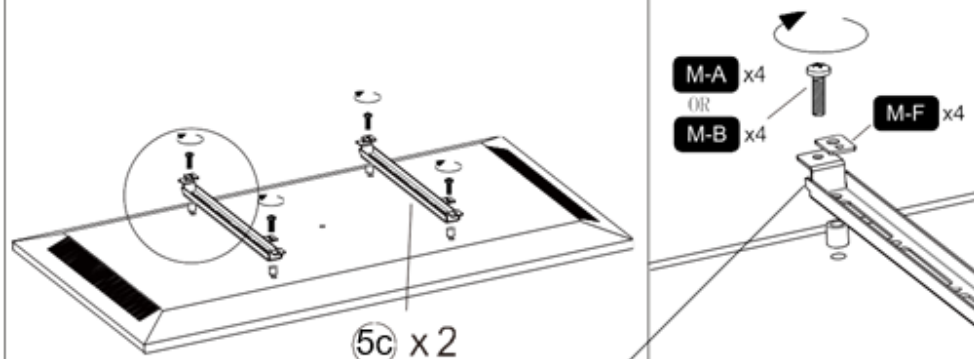
(a) For Flat-backed TV



(b) For Irregular -backed (Rounded) TV

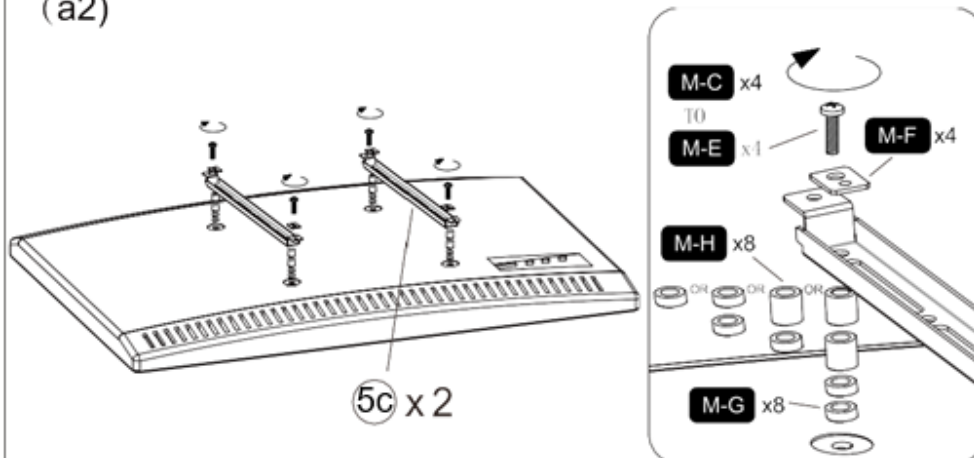


(a1) For Flat Screen TV



Note: Ensure brackets 5c are oriented in the same direction with tabs pointing to the top of the monitor.

(a2)

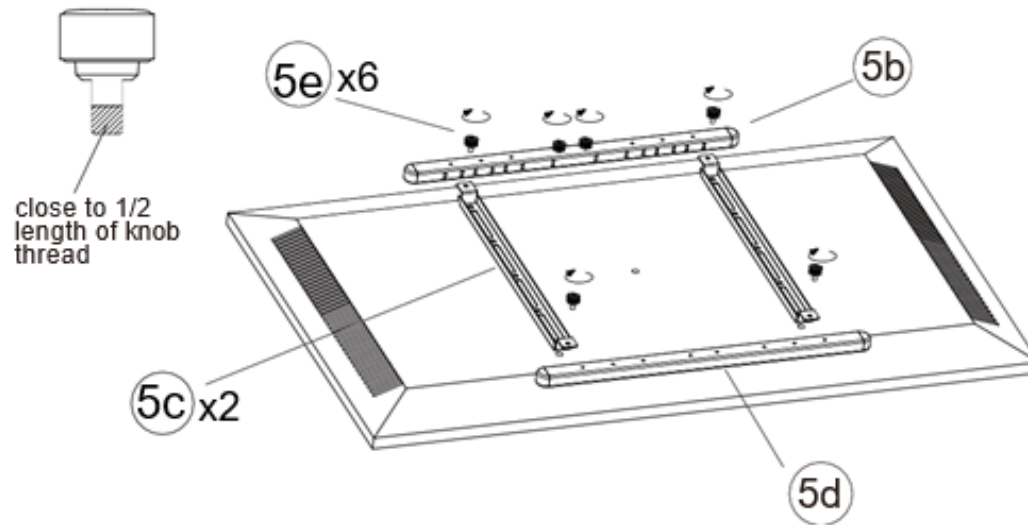


Note: Ensure brackets 5c are oriented in the same direction with tabs pointing to the top of the monitor.

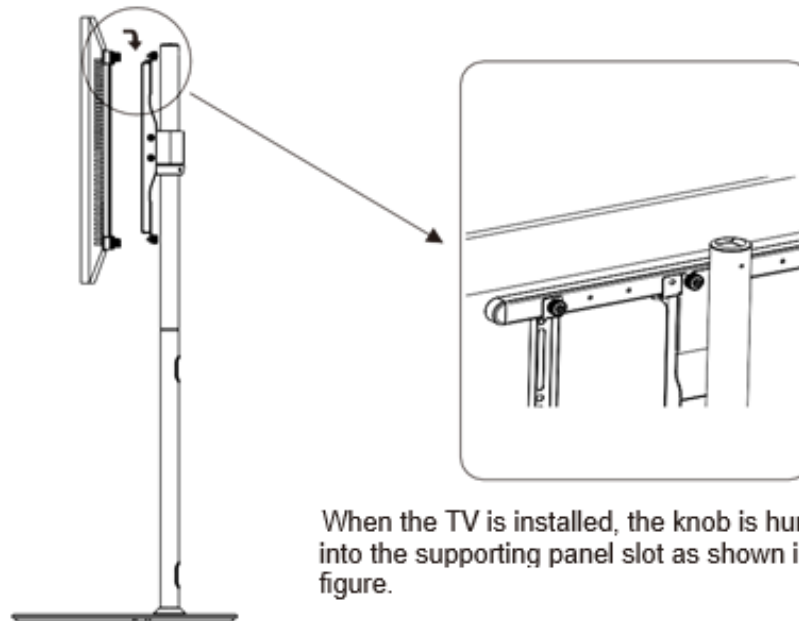


6

When installing, note that rail 5b should be installed at the top of TV set, then screw in 5e knobs. Repeat for rail 5d at bottom.

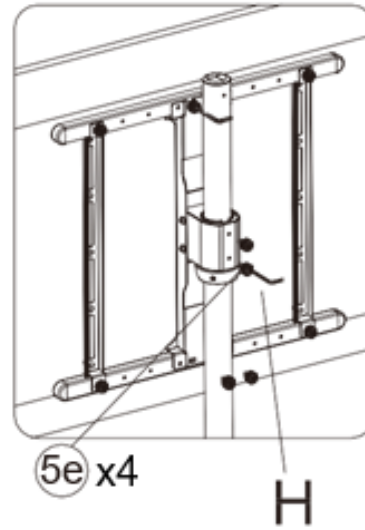
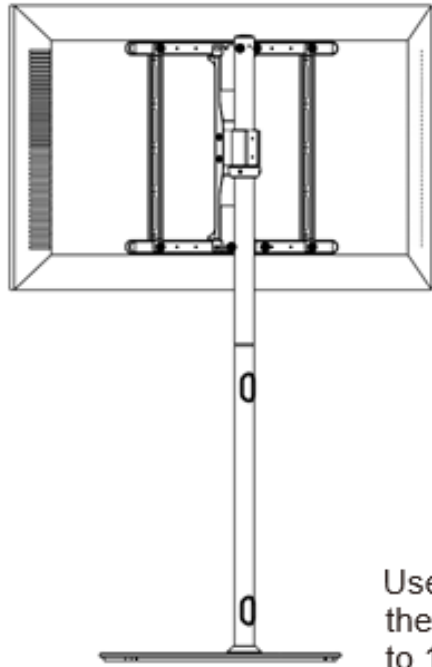


7



When the TV is installed, the knob is hung into the supporting panel slot as shown in figure.

8



Use H wrench to turn the knob until the thread in knob is screwed close to 1/2 length.

9

