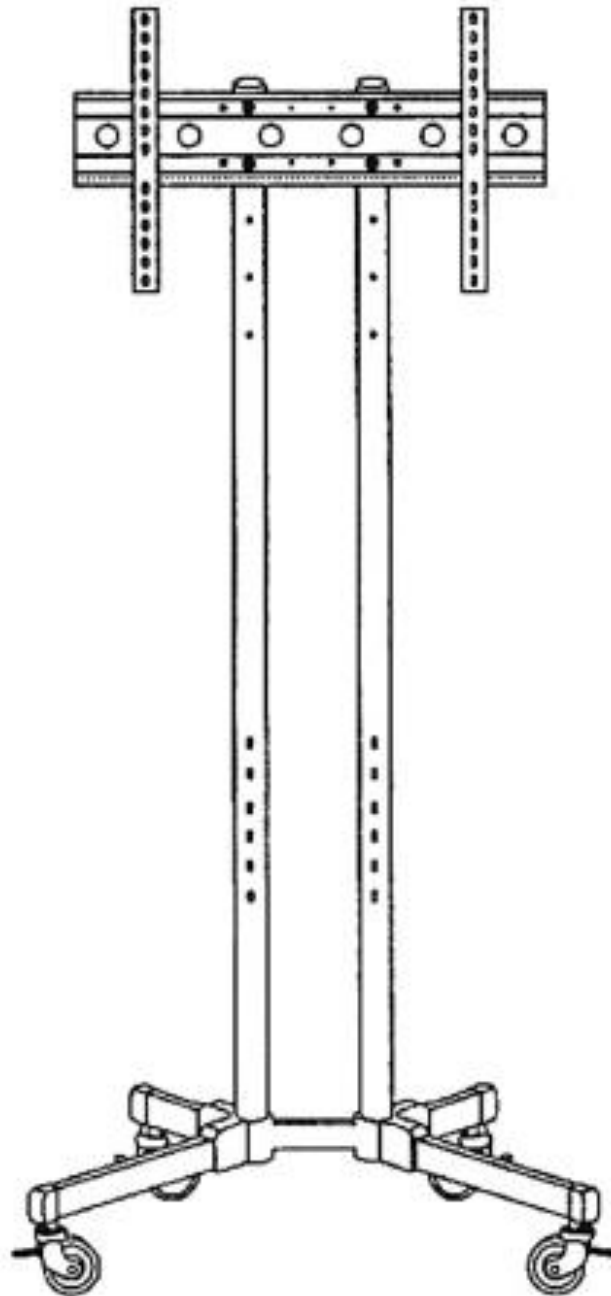


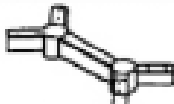





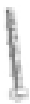




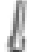










Small Wheeled Monitor Stand



**Parts for Assembly
65"/94 lbs. Max Monitor Size**

A1	Long tube	2				
B1	Brevituba	2				
C1	Base	1		H1	Stent	1 
D1	Decorative cover	2		I1	Linked	2 
E1				L1	2" wheels	4 
F1	Supporting bar	2				

A	 M8x65 ^①	 ϕ 8x20x1 ^②	 M8 ^③
B	12PCS	12PCS	12PCS
C	 ϕ 8x20x1 ^④ 4PCS	 M5x8 ^⑥ 4PCS	 M8x40 ^⑦ 2PCS
		 1PCS	 1PCS
D	 M5x15 4PCS	 M6x25 4PCS	 M4x15 4PCS
	 M8x25 4PCS	 ϕ 8x20x5 4PCS	 ϕ 6x20x1 4PCS
			Install the TV screw

