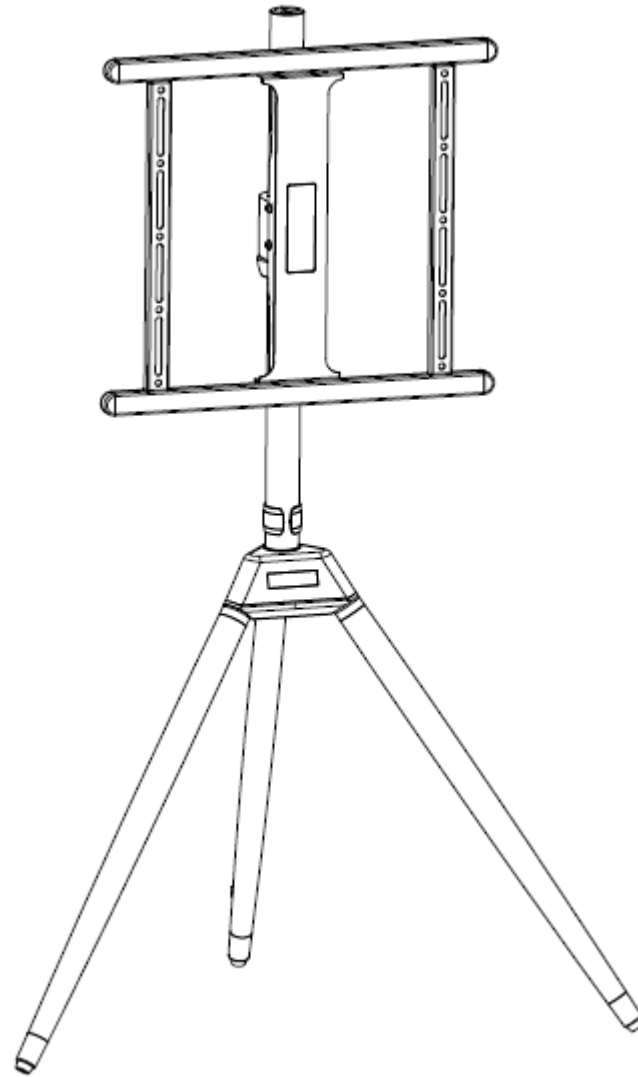
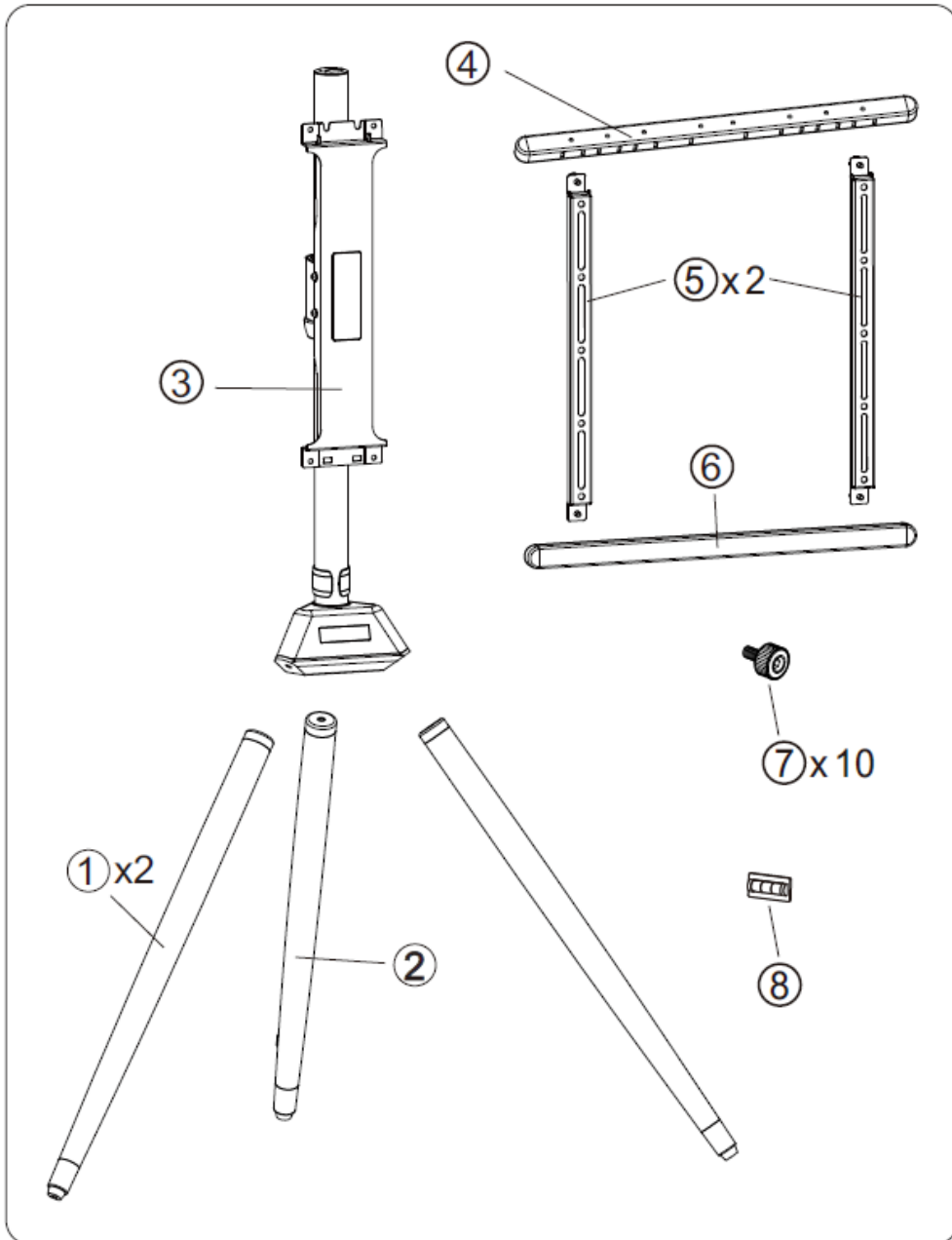


























# Tripod Monitor Stand



# Parts for Assembly

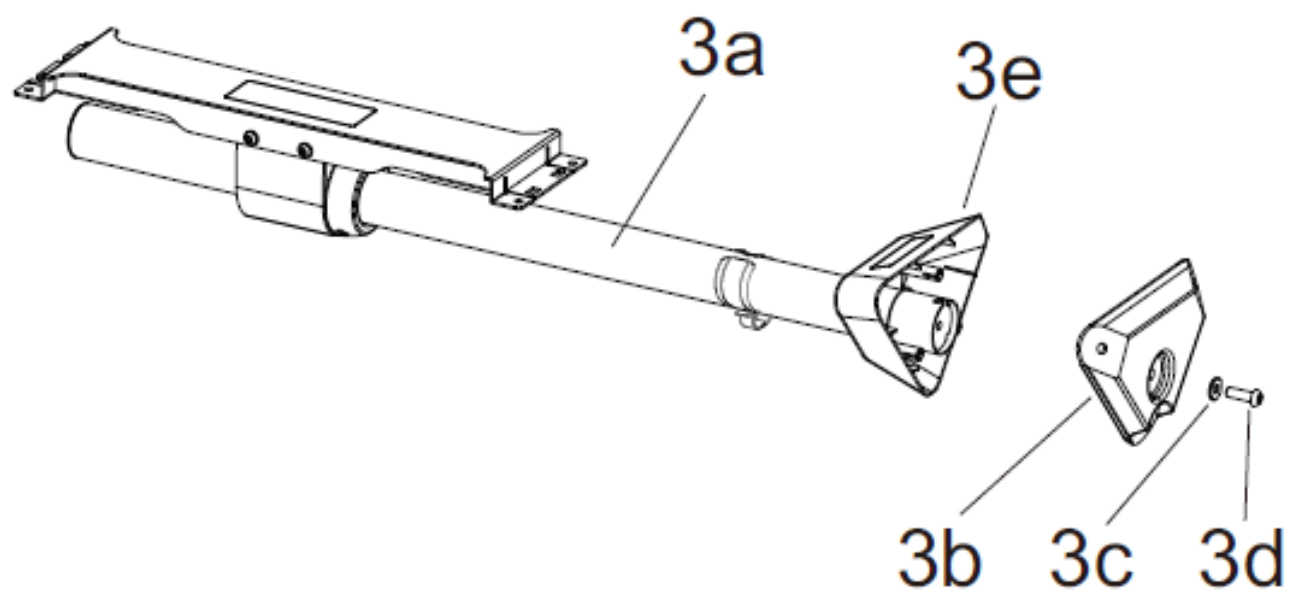
## 60"/77 lbs. Max Monitor Size



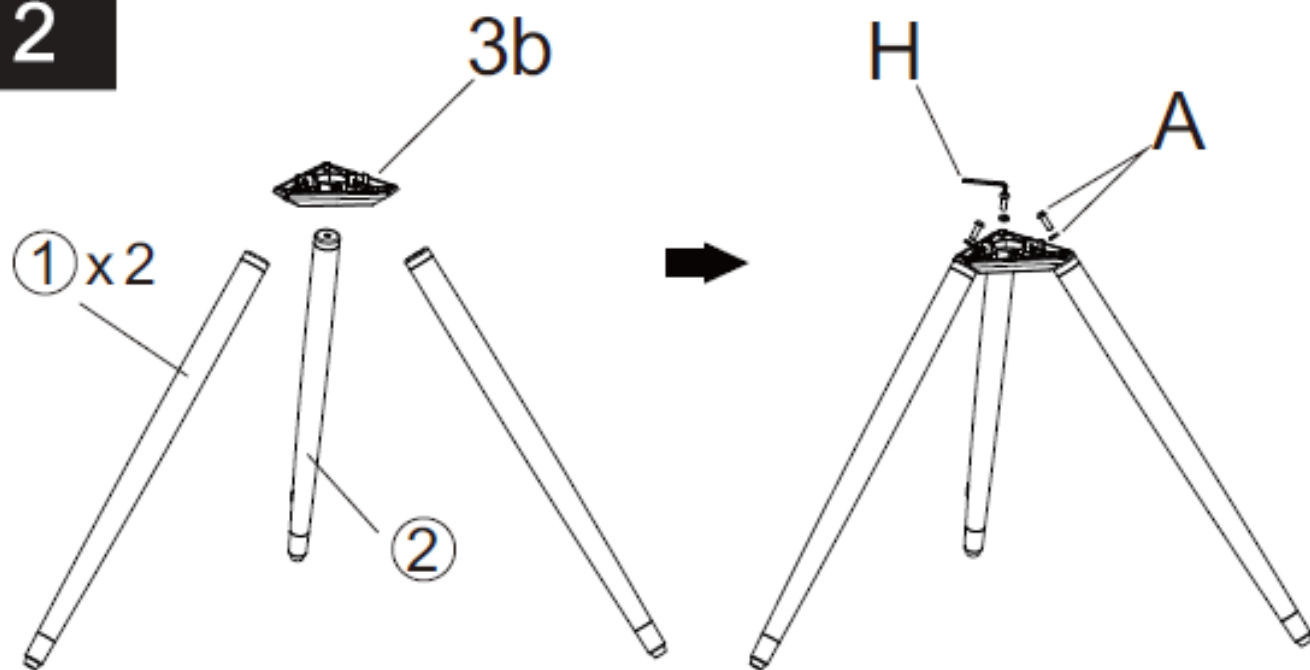
<b>A</b> x3 	<b>B</b> x1 	<b>C</b> x1 	<b>D</b> x2 
<b>E</b> x1  ST4.8x38	<b>F</b> x1  M5x10	<b>G</b> x1  4mm	<b>H</b> x1  5mm
<b>M-A</b> x4   M5x14	<b>M-B</b> x4   M6x14	<b>M-C</b> x4   M6x30	<b>M-D</b> x4   M8x30
<b>M-E</b> x4   M8x50	<b>M-F</b> x4  	<b>M-G</b> x8   5mm	<b>M-H</b> x8   15mm

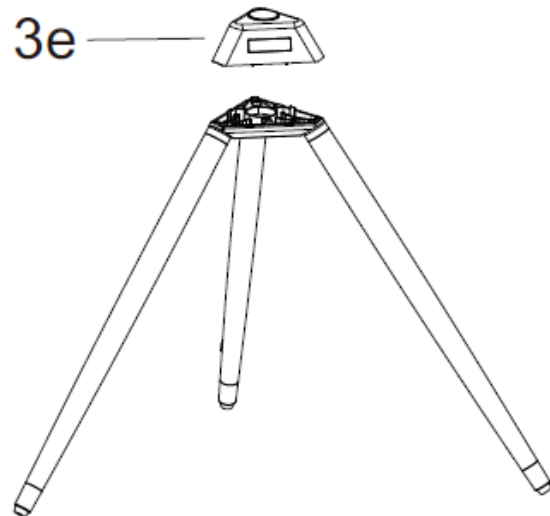
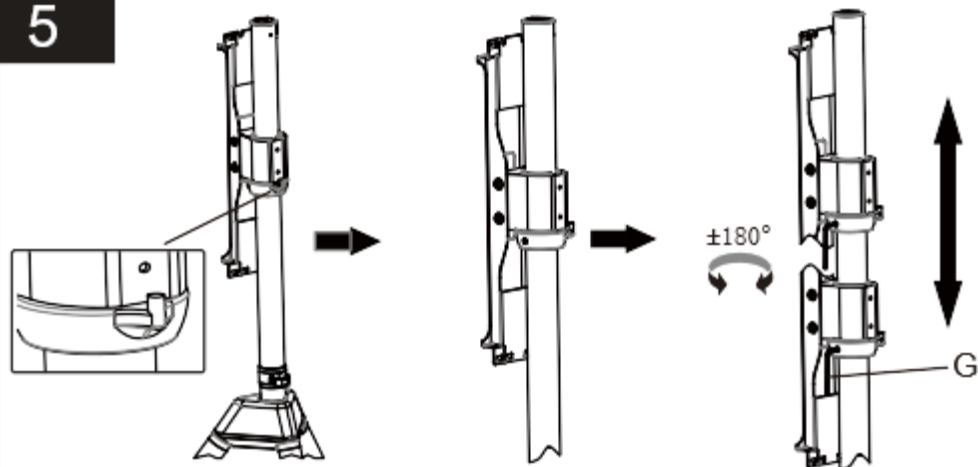
\*Note: included are wall mount parts not needed for assembly

1



2

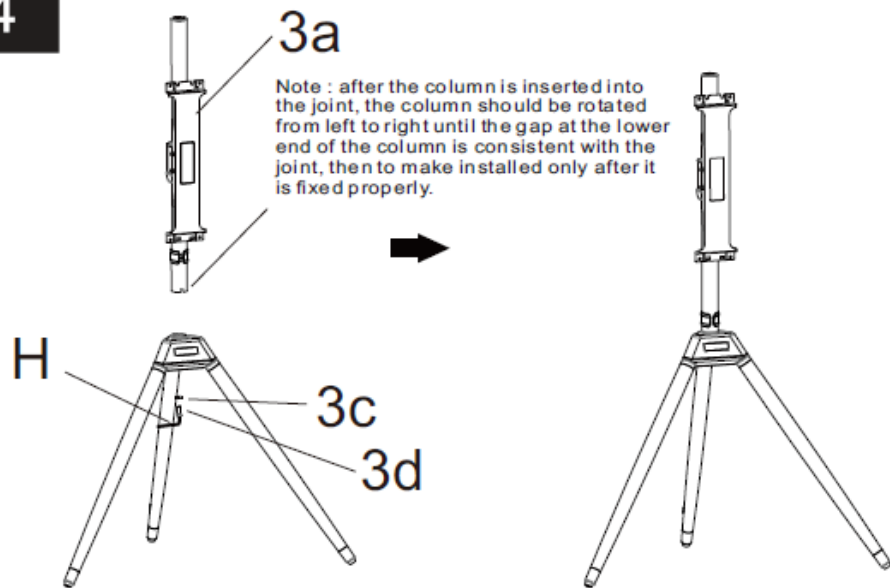


**3****5**

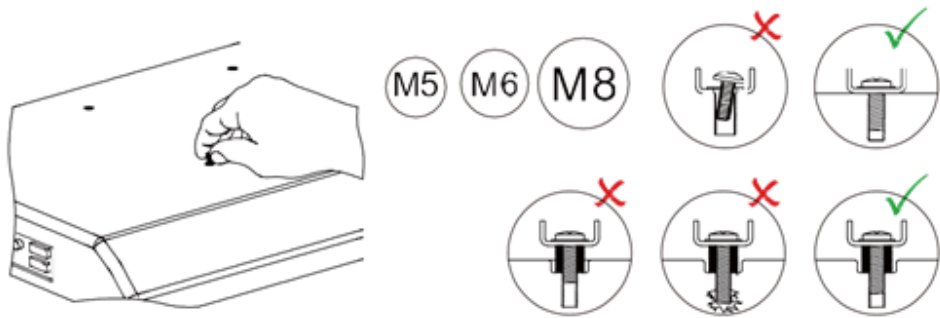
Adjust to face forward.

Turn panel to one side.

Use Allen wrench "G" to adjust.

**4**

## 6 How to choose mounting screws for your TV

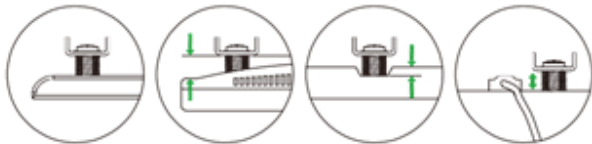
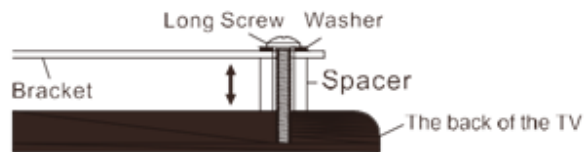


Choose the suitable length screws

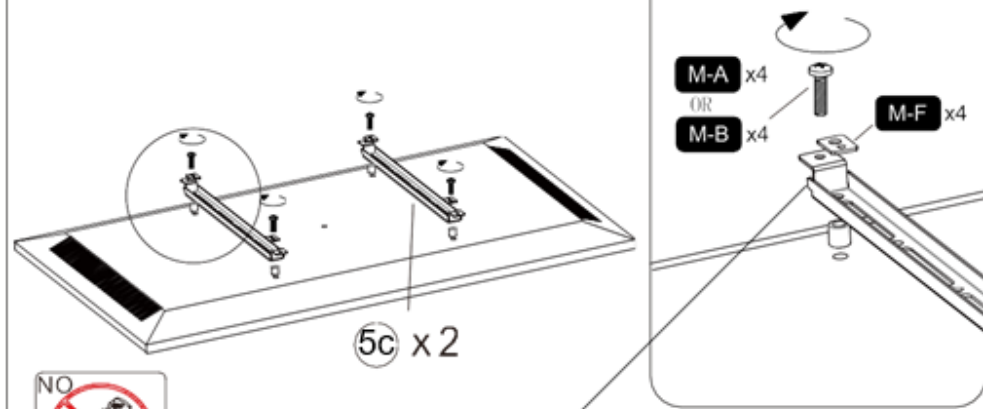
### (a) For Flat-backed TV



### (b) For Irregular -backed (Rounded) TV

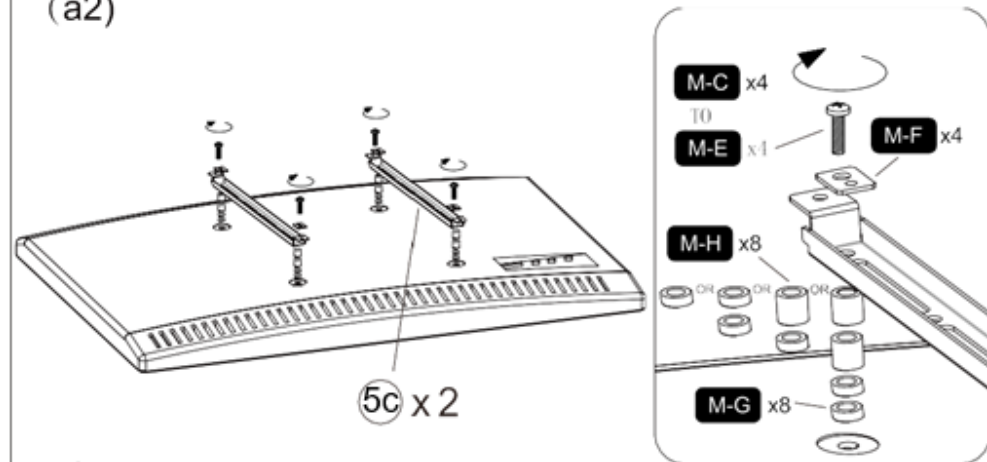


### (a1) For Flat Screen TV



Note: Ensure brackets 5c are oriented in the same direction with tabs pointing to the top of the monitor.

### (a2)

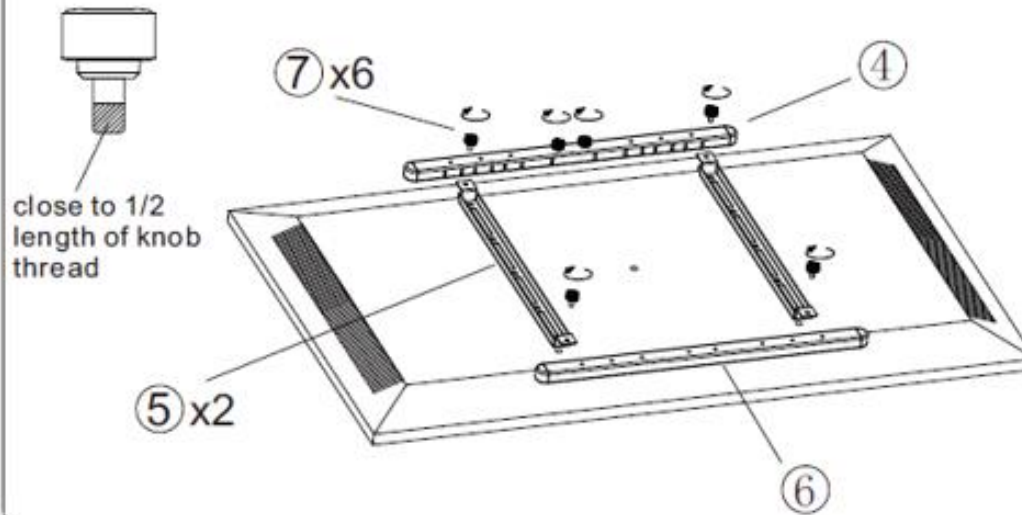


Note: Ensure brackets 5c are oriented in the same direction with tabs pointing to the top of the monitor.

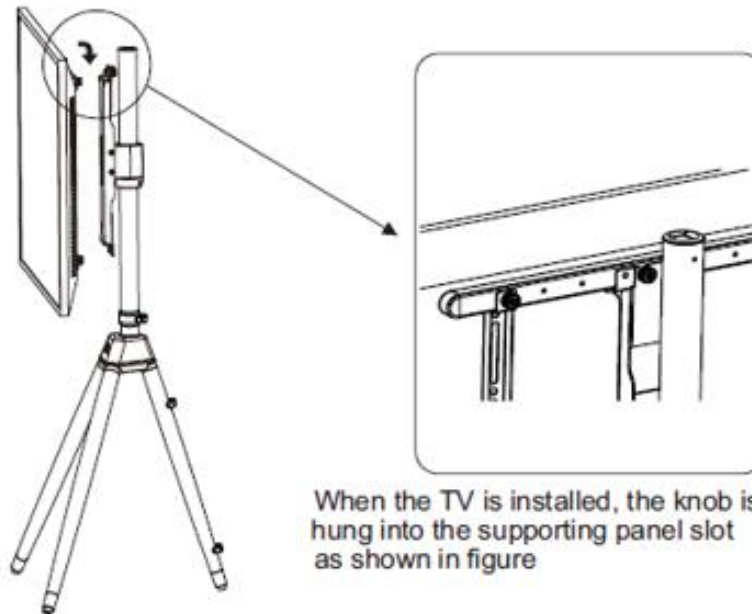


7

When installing, note that material no. 4 should be installed at the top of TV set, then turn the knob until the thread in knob is screwed close to 1/2 length

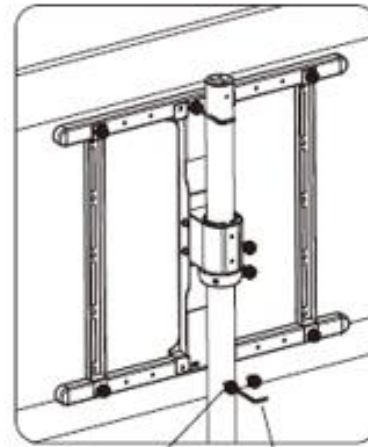
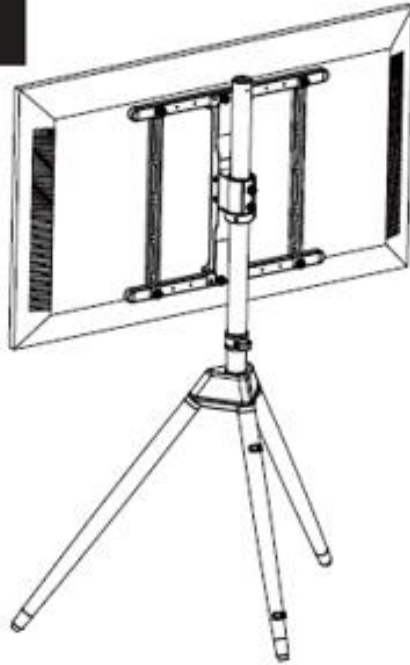


8



When the TV is installed, the knob is hung into the supporting panel slot as shown in figure

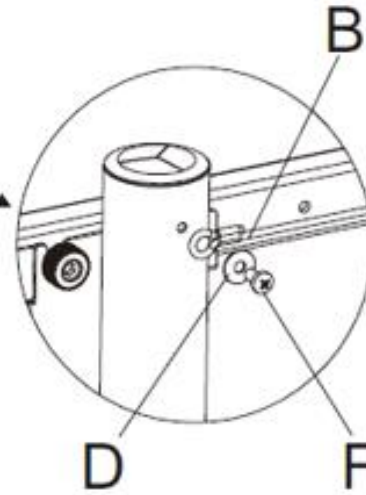
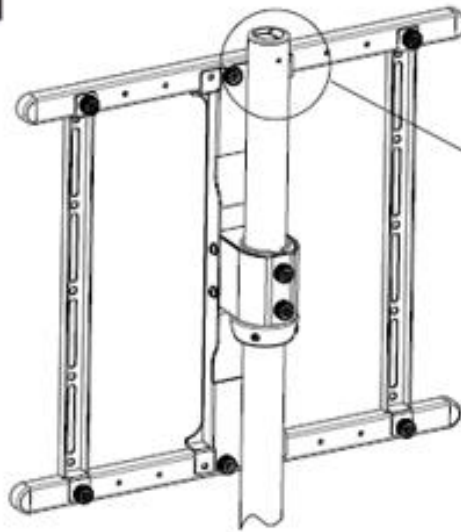
9



⑦ H

Use H wrench to turn the knob until the thread in knob is screwed close to 1/2 length

10



B

D

F